

E X - D I S T R I B U T I O N S

Stainless steel in modular design

Distributions made of stainless steel for protection against aggressive environments are used for lighting, heating, motor and socket circuits in potentially explosive atmospheres. The distributions contain components with flameproof enclosures. These flameproof components, such as MCBs, fuses etc., provide thermal and magnetic protection and can be snapped on individually on the DIN rails.

6

The distribution systems are available in stainless steel enclosures of various sizes. On standardised wall-mounting or free-standing frameworks, the enclosures can be combined into large distribution systems. The frameworks come in standardised sizes to accommodate the enclosures and can be extended as required. MCBs, RCDs and other components can be operated via lockable actuating flaps, integrated in the enclosure cover, without opening the enclosure. CEAG fuse and MCB distributions provide cost-effective solutions. They fulfil all the requirements specified by the chemical, petrochemical and offshore industries.

Internationally approved.



- Combinable for larger distributions
- Actuating flaps for easy operation
- Snap-on components
- Protection type IP66
- Retrofitting

| MCB distribution for lighting circuits, heating circuits, socket distributions |



EXKO 223 100

Technical data

MCB distribution for lighting circuits	heating circuits	socket distribution
Marking accd. to 94/9/EC	Ⓜ II 2 G Ex de ia/ib m [ia/ib] IIC T6/T5/T4 Ⓜ II 2 D Ex tD A21 IP66/IP65 T80 °C, T95 °C	
EC-Type Examination Certificate	PTB 99 ATEX 1044	
Permissible ambient temperature	-20 °C up to +40 °C -55 °C up to +55 °C (option)	
IECEX Certificate of Conformity	IECEX BKI 06.0007	
Marking accd. to IECEx	Ex de ia/ib m [ia/ib] T4 ... T6 Ex tD A21 IP66 T80 °C	
Rated voltage	690 V	
Rated current	180 A	
Protection class	I	
Terminal cross section	up to 240 mm ²	
Degree of protection accd. to EN 60529	IP66	
Enclosure material	Stainless steel AISI 316 L	
Enclosure colour	electro-polished	

6

Ordering details distribution for lighting circuits

Content	Type	MCB 2-pole	Connection terminals	Cable glands	Weight approx.	Order No.
40 A	1	8 x 16 A	10 mm ²	1 x M40 (17 - 28 mm Ø) 8 x M25 (8 - 17 mm Ø)	22 kg	EXKO 223 100 Q 0000
80 A	2	12 x 16 A	16 mm ²	1 x M50 (22 - 35 mm Ø) 12 x M25 (8 - 17 mm Ø)	34 kg	EXKO 223 100 Q 0001
80 A	3	24 x 16 A	16 mm ²	1 x M50 (22 - 35 mm Ø) 24 x M25 (8 - 17 mm Ø)	58 kg	EXKO 223 100 Q 0002

Ordering details distribution for heating circuits

Content	Type	RCBO 2-pole	Connection terminals	Cable glands	Weight approx.	Order No.
40 A	1	8 x 16 A, 30 mA	10 mm ²	1 x M40 (17 - 28 mm Ø) 8 x M25 (8 - 17 mm Ø)	22 kg	EXKO 223 100 Q 0003
80 A	2	12 x 16 A, 30 mA	16 mm ²	1 x M50 (22 - 35 mm Ø) 12 x M25 (8 - 17 mm Ø)	34 kg	EXKO 223 100 Q 0004
80 A	3	24 x 16 A, 30 mA	16 mm ²	1 x M50 (22 - 35 mm Ø) 24 x M25 (8 - 17 mm Ø)	58 kg	EXKO 223 100 Q 0005

Ordering details distribution for sockets

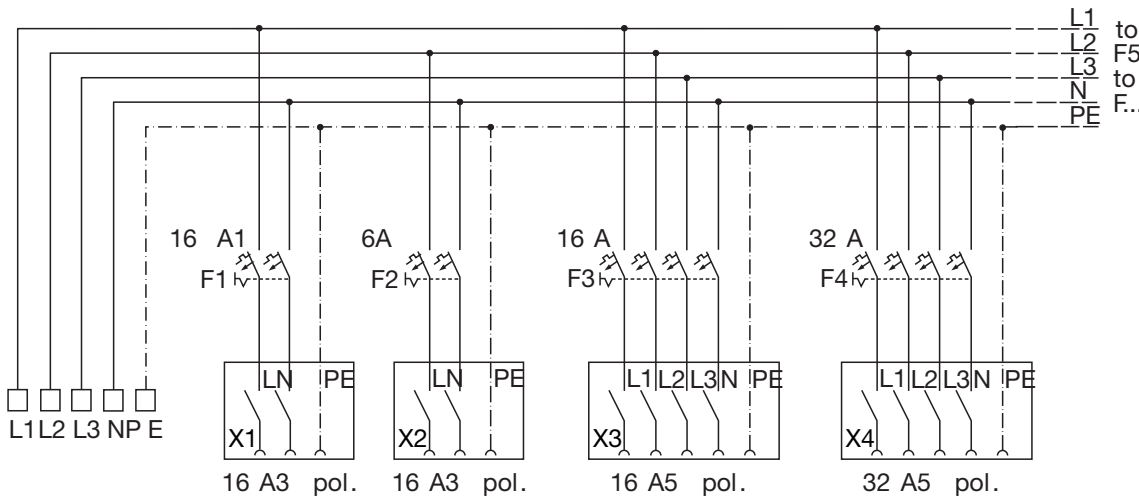
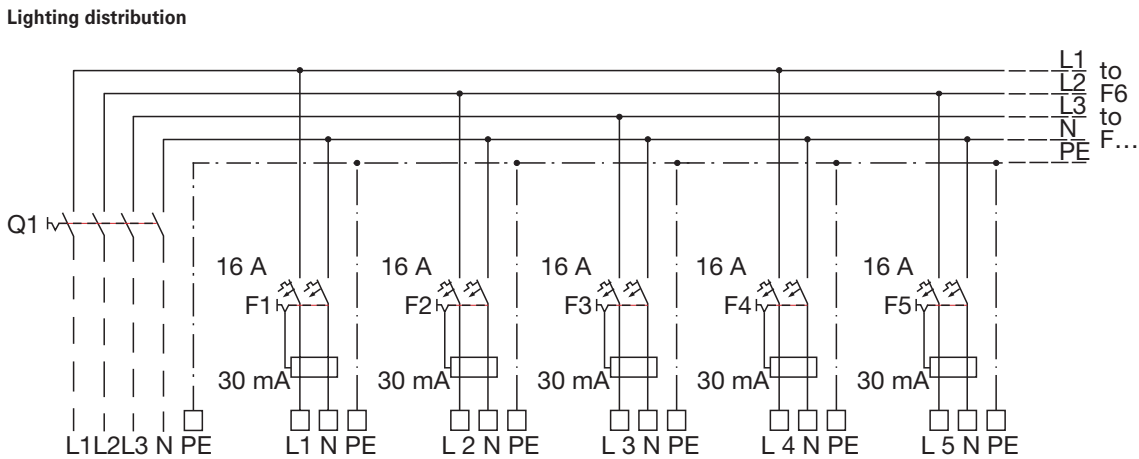
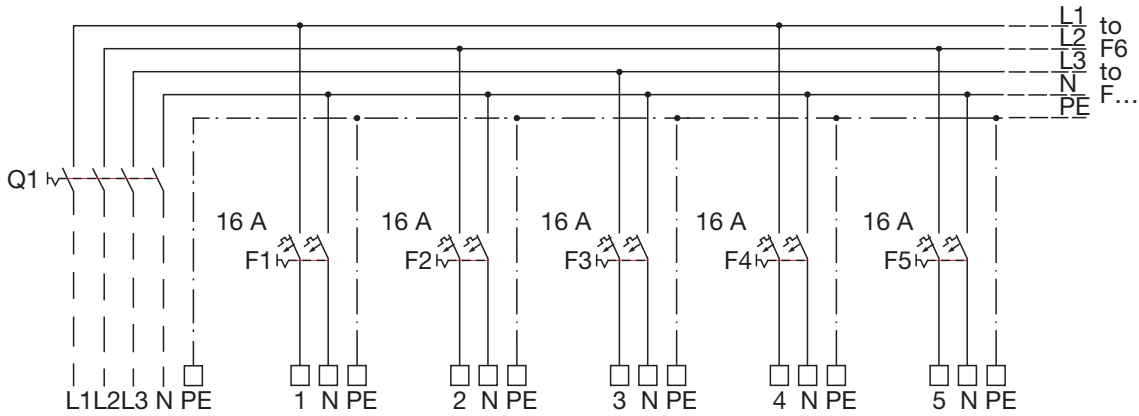
Content MCB	Type	Socket outlets	Cable glands	Weight approx.	Order No.
2 x 16 A	1	2 x 16 A 3-pole	1 x M40 (17 - 28 mm Ø)	12 kg	EXKO 223 800 C 0004
2 x 16 A 1 x 32 A	2	1 x 16 A 3-pole 1 x 16 A 5-pole 1 x 32 A 5-pole	1 x M40	22 kg	EXKO 223 800 C 0005
4 x 16 A	3	2 x 16 A 3-pole 2 x 16 A 5-pole	1 x M40	27 kg	EXKO 223 800 C 0006



EXKO 223 100

Wiring diagram lighting distribution | heating circuits | socket distribution

6





EXKO 223 100

Dimension drawing lighting distribution | heating circuits | socket distribution

