

Ex-panels and racks



GUB 00



GUB 20



GUB 30

Technical data

Ex d light alloy enclosure

Marking accd. to 94/9/EC	II 2 G Ex d IIC Gb II 2 D Ex t IIIC Gb
EC-Type Examination Certificate	LOM 03 ATEX 3107U
Permissible ambient temperature	-20 °C up to +40 °C -60 °C up to +55 °C (option)
Rated voltage	690 V
Rated current	max. 250 A
Protection class	I
Degree of protection accd. to EN 60529	IP67
Cable glands/enclosure drilling	¹⁾
Dimensions (L x W x H)	¹⁾
Weight	¹⁾
Enclosure material	copper-free aluminium
Enclosure colour	Polyester finish grey

¹⁾ see table

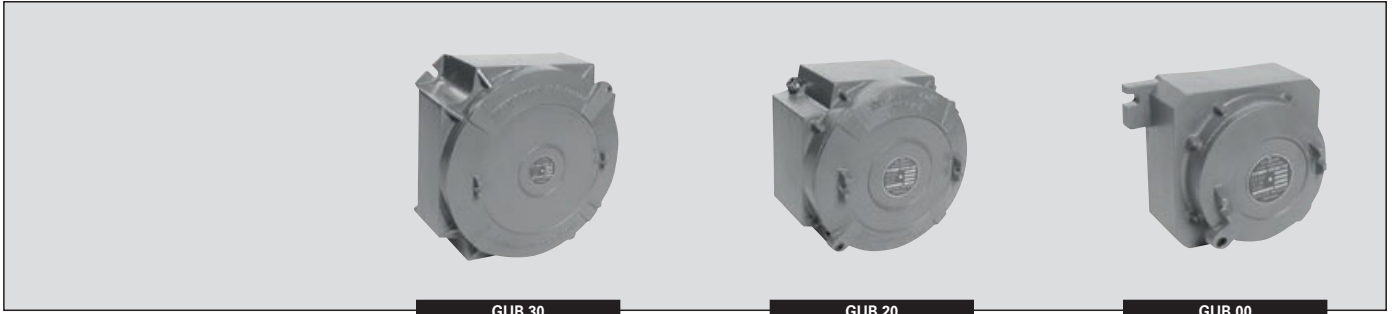
Ordering details

Type	Power dissipation			Rated current max.	Weight approx.	Order No.
	T6	T5	T4			
Ex d light alloy empty enclosures GUB						
GUB 00	60	85	150	60 A	3.20 kg	NOR 000 001 160 116
GUB 20	100	145	255	150 A	6.20 kg	NOR 000 001 160 124
GUB 30	140	200	360	250 A	10.20 kg	NOR 000 001 160 132

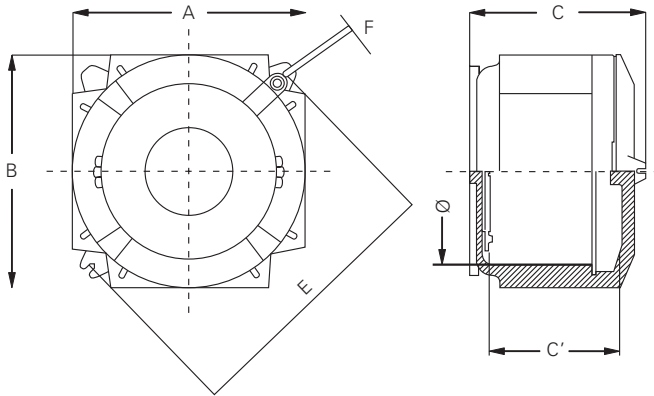
Max. entries per side

Type	1/2"	3/4"	1"	1 1/4"	1 1/2"	2"	2 1/2"
GUB 00	4	3	2	2	2	-	-
GUB 20	6	5	3	2	2	1	1
GUB 30	10	8	5	3	3	2	2

These enclosures can provide according to LOM 04 ATEX 2018 certification with the following electrical apparatus: bus-bars, terminals, low voltage transformers, air circuit breakers, automatic circuit breakers, control and operations circuits, servomotors without ventilation, starters and ballasts for discharge lamps, electronic apparatus, associated SI apparatus, etc. according customer needs.



Dimension drawing



Ex d light alloy enclosure GUB

Type	External		Internal		Mounting			
	A	B	C	A'	B'	C'	E	F
GUB 00	170	170	135	125	125	74	210	9
GUB 20	215	215	195	175	175	139	250	11
GUB 30	333	333	180	295	295	120	370	11