

## Ex-safety switches



3-pole, 20 A

### Technical data

5

#### Ex-safety switches 20 A for controlled three-phase drives

Marking accd. to 94/9/EC	Ⓔ II 2 G Ex ed ia IIC T6 / Ⓔ II 2 D Ex tD A21 IP66 T80 °C	
EC-Type Examination Certificate	PTB 99 ATEX 1161	
IECEX Certificate of Conformity	BKI 07.0012	
Marking accd. to IECEx	Ex ed ia IIC T6 Ex tD A21 IP66 T55 °C	
Permissible ambient temperature	-20 °C up to +40 °C <sup>1)</sup>	
Rated voltage	up to max. 690 V	
Rated current	max. 20 A	
Frequency	50/60 Hz	
Rated making/breaking capacity AC-3 accd. EN 60947-3	U <sub>o</sub> 230 V / I <sub>o</sub> 20 A U <sub>o</sub> 400 V / I <sub>o</sub> 20 A U <sub>o</sub> 500 V / I <sub>o</sub> 16 A U <sub>o</sub> 690 V / I <sub>o</sub> 10 A	
Back-up fuse	up to 400 V AC: 35 A gL up to 500 V AC: 35 A gL up to 690 V AC: 25 A gL	
Connecting terminals	main contact	2 x 4 mm <sup>2</sup>
	auxiliary/signal contact	2 x 4 mm <sup>2</sup>
Protection class	I	
Degree of protection accd. to EN 60529	IP66	
Cable glands/enclosure drilling	M25 (d = 8 - 17.5 mm) see ordering details M32 (d = 12 - 21 mm) see ordering details Option: metal flange with 2 x thread	
Weight	approx. 1.48 kg	
Enclosure material	glass-fibre reinforced polyester	
Enclosure colour	black	
Aux. contact	1 x NO making - lagging; breaking - leading 1 x NC making - leading; breaking - lagging	
Safety interlock for electronics	1 x NO making - lagging; breaking - leading	
Padlocking facility	can be locked in OFF position with 3 commercially available padlocks (Ø max. 6 mm)	

<sup>1)</sup> Other ambient temperatures on request



3-pole, 20 A

## Ordering details

Content	Cable gland	Order No.
<b>Safety switch 20 A</b>		
<b>Version with 2 auxiliary contacts (1 NO; 1 x NC), 1 x Safety interlock for electronics (1 x NO)</b>		
3-pole	2 x M32 / 2 x M25	GHG 262 0014 R0001

Customized version on request, auxiliary contacts in Ex ia available

## Accessories

### Mounting plate for Ex-safety switches 20 A controlled three-phase drives

Type	Application	Fixing method	Order No.
Size 3	Wall mounting	screwless mounting	GHG 610 1953 R0118
Size 3	Pipe clamp	screwless mounting	GHG 610 1953 R0110
Size 3	Trellis-work mounting	screwless mounting	GHG 610 1953 R0118

### Accessories for mounting plates

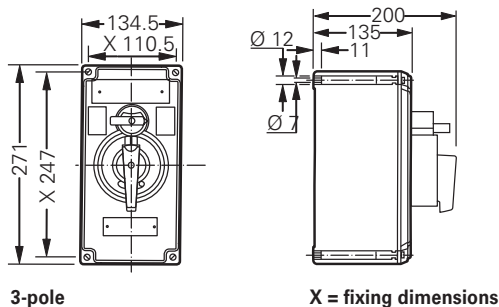
Type	OU	Order No.
Label holder with label (unlabelled) for mounting plate size 1, 2, 2A and 3	10	GHG 610 1953 R0057
Mounting set for pipes 1" (of 27 - 30 mm) for mounting plates with pipe fixing	10	GHG 610 1953 R0020

### Accessories for canopies plates

Type	Application	OU	Order No.
Size 3	for pipe mounting plate size 3 vertical	1	GHG 610 1955 R0104
Size 3A	for mounting plates wall/trellis fixing size 3 vertical	1	GHG 610 1955 R0105
Size 3	for mounting plates pipe fixing size 3 horizontal	1	GHG 610 1955 R0106

Please pay attention that only order units (OU) according to the ordering details can be delivered.

## Dimension drawing



## Ex-safety switches



3-pole, 40 A

### Technical data

5

#### Ex-safety switches 40 A for controlled three-phase drives

Marking accd. to 94/9/EC	Ⓔ II 2 G Ex ed ia IIC T6 / Ⓔ II 2 D Ex tD A21 IP66 T80 °C	
EC-Type Examination Certificate	PTB 99 ATEX 1161	
IECEX Certificate of Conformity	BKI 07.0012	
Marking accd. to IECEx	Ex ed ia IIC T6 Ex tD A21 IP66 T53 °C	
Permissible ambient temperature	-20 °C up to +40 °C <sup>1)</sup>	
Rated voltage	up to max. 690 V	
Rated current	max. 40 A	
Frequency	50/60 Hz	
Rated making/breaking capacity AC-3 accd. EN 60947-3	U <sub>o</sub> 230 V / I <sub>o</sub> 40 A U <sub>o</sub> 400 V / I <sub>o</sub> 40 A U <sub>o</sub> 500 V / I <sub>o</sub> 40 A U <sub>o</sub> 690 V / I <sub>o</sub> 32 A	
Back-up fuse	up to 400 V AC: 80 A gL up to 500 V AC: 80 A gL up to 690 V AC: 63 A gL	
Connecting terminals	main contact	2 x 16 mm <sup>2</sup>
	auxiliary/signal contact	2 x 4 mm <sup>2</sup>
Protection class	I	
Degree of protection accd. to EN 60529	IP66	
Cable glands/enclosure drilling	M25 (d = 8 - 17.5 mm) see ordering details M40 (d = 17 - 28 mm) see ordering details M50 (d = 22 - 35 mm) see ordering details Option: metal flange with 2 x thread	
Weight	approx. 4.3 kg	
Enclosure material	glass-fibre reinforced polyester	
Enclosure colour	black	
Aux. contact	1 x NO making - lagging; breaking - leading 1 x NC making - leading; breaking - lagging	
Safety interlock for electronics	1 x NO making - lagging; breaking - leading	
Padlocking facility	can be locked in OFF position with 3 commercially available padlocks (Ø max. 6 mm)	

<sup>1)</sup> Other ambient temperatures on request



3-pole, 40 A

### Ordering details

Content	Cable gland	Order No.
Safety switch 40 A 3-pole		
Version with 2 auxiliary contacts (1 NO; 1 x NC), 1 x Safety interlock for electronics (1 x NO)		
3-pole	2 x M40 / 2 x M25	GHG 263 0053 R0001

Customized version on request, auxiliary contacts in Ex ia available

### Accessories

#### Mounting plate for Ex-safety switches 125 A/180 A 3-pole

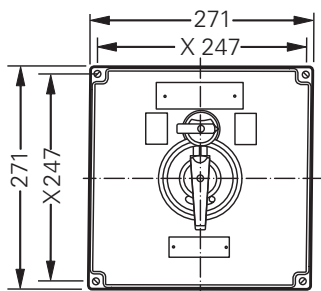
Type	Application	Fixing method	Order No.
Size 3	2 x pipe clamp	screw-on <sup>1)</sup>	GHG 610 1953 R0110

<sup>1)</sup> observe mounting distance

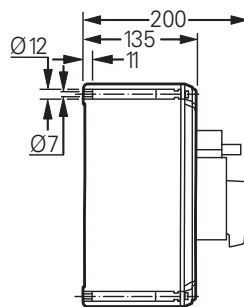
#### Accessories for mounting plates

Type	OU	Order No.
Label holder with label (unlabelled) for mounting plate size 1, 2, 2A and 3	10	GHG 610 1953 R0057
Mounting set for pipes 1" (of 27 - 30 mm) for mounting plates with pipe fixing	10	GHG 610 1953 R0020

Please pay attention that only order units (OU) according to the ordering details can be delivered.



Ex-safety switches 40 A



X = fixing dimensions

## Ex-safety switches



3-pole, 80 A

### Technical data

5

#### Ex-safety switches 80 A for controlled three-phase drives

Marking accd. to 94/9/EC	Ⓔ II 2 G Ex de IIC T6 / Ⓔ II 2 D Ex tD A21 IP66 T80 °C	
EC-Type Examination Certificate	PTB 00 ATEX 1091	
IECEX Certificate of Conformity	BKI 07.0010	
Marking accd. to IECEx	Ex ed ia II T6 Ex tD A21 IP66 T53 °C	
Permissible ambient temperature	-20 °C up to +40 °C <sup>1)</sup>	
Rated voltage	up to max. 690 V	
Rated current	max. 80 A	
Frequency	50/60 Hz	
Rated making/breaking capacity AC-3 accd. EN 60947-3	U <sub>o</sub> 230 V / I <sub>o</sub> 80 A U <sub>o</sub> 400 V / I <sub>o</sub> 80 A U <sub>o</sub> 500 V / I <sub>o</sub> 80 A U <sub>o</sub> 690 V / I <sub>o</sub> 63 A	
Back-up fuse	up to 400 V AC: 160 A gL up to 500 V AC: 160 A gL up to 690 V AC: 160 A gL	
Connecting terminals	main contact	2 x 25 mm <sup>2</sup>
	auxiliary-/Signal contact	2 x 4 mm <sup>2</sup>
Protection class	I	
Degree of protection accd. to EN 60529	IP66	
Cable glands/enclosure drilling	M25 (d = 8 - 17.5 mm) see ordering details M40 (d = 17 - 28 mm) see ordering details M50 (d = 22 - 35 mm) see ordering details Option: metal flange with 2 x thread	
Weight	approx. 7.25 kg	
Enclosure material	glass-fibre reinforced polyester	
Enclosure colour	black	
Aux. contact	1 x NO making - lagging; breaking - leading 1 x NC making - leading; breaking - lagging	
Safety interlock for electronics	1 x NO making - lagging; breaking - leading	
Padlocking facility	can be locked in OFF position with 3 commercially available padlocks (Ø max. 6 mm)	

<sup>1)</sup> Other ambient temperatures on request



3-pole, 80 A

## Ordering details

Content	Cable gland	Order No.
<b>Safety switch 80 A 3-pole</b>		
<b>Version with 2 auxiliary contacts (1 NO; 1 x NC), 1 x Safety interlock for electronics (1 x NO)</b>		
3-pole	2 x M50 / 2 x M25	<b>GHG 264 0024 R0001</b>

Customized version on request, auxiliary contacts in Ex ia available

## Accessories

### Mounting plate for Ex-safety switches 80 A controlled three-phase drives

Type	Application	Fixing method	Order No.
Size 3	2 x pipe clamp	screw-on <sup>1)</sup>	<b>GHG 610 1953 R0110</b>

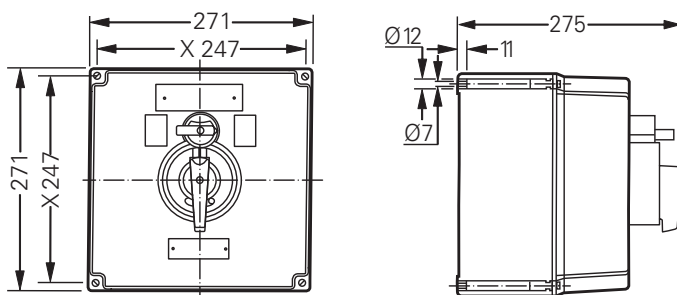
<sup>1)</sup> observe mounting distance

### Accessories for mounting plates

Type	OU	Order No.
Label holder with label (unlabelled) for mounting plate size 1, 2, 2A and 3	10	<b>GHG 610 1953 R0057</b>
Mounting set for pipes 1" (of 27 - 30 mm) for mounting plates with pipe fixing	10	<b>GHG 610 1953 R0020</b>

Please pay attention that only order units (OU) according to the ordering details can be delivered.

## Dimension drawing



Ex-safety switches 80 A

X = fixing dimensions