



**Technical data**

**Ex-safety switches 125 A**

Marking accd. to 94/9/EC		Ⓔ II 2 G Ex de IIC T6 / Ⓔ II 2 D Ex tD A21 IP66 T80 °C
EC-Type Examination Certificate	3-pole	PTB 99 ATEX 1164
	6-pole	PTB 00 ATEX 1073
IECEX Certificate of Conformity		BKI 07.0005
Marking accd. to IECEx		Ex de IIC T6 Ex tD A21 IP66 T53 °C
Permissible ambient temperature		-20 °C up to +40 °C <sup>1)</sup>
Rated voltage		up to max. 690 V
Frequency		50/60 Hz
Rated making/breaking capacity AC-3 accd. EN 60947-3		U <sub>e</sub> 230 V / I <sub>e</sub> 125 A U <sub>e</sub> 400 V / I <sub>e</sub> 125 A U <sub>e</sub> 500 V / I <sub>e</sub> 125 A U <sub>e</sub> 690 V / I <sub>e</sub> 110 A
Back-up fuse		up to 400 V AC: 200 A gL up to 500 V AC: 200 A gL up to 690 V AC: 160 A gL
Connecting terminals	main contact 3-pole	1 x 50/70 mm <sup>2</sup>
	6-pole	6 x 95 mm <sup>2</sup> /2 x 95 mm <sup>2</sup>
	auxiliary/signal contact	2 x 4 mm <sup>2</sup>
Protection class		I
Degree of protection accd. to EN 60529		IP66
Cable glands/enclosure drilling		M25 (d = 8 - 17 mm) see ordering details M40 (d = 16 - 28 mm) see ordering details M63 (d = 27 - 48 mm) see ordering details Option: metal flange with 2 x thread
Weight	3-pole	approx. 16 kg
	6-pole	approx. 31 kg
Enclosure material	3-pole	glass-fibre reinforced polyester
	6-pole	sheet steel polyester powder coated
Enclosure colour	3-pole	RAL 7032
	6-pole	black
Auxiliary contact		1 x NO making - lagging; breaking - leading 1 x NC making - leading; breaking - lagging
Padlocking facility		can be locked in OFF position with 3 commercially available padlocks (Ø max. 6 mm)

<sup>1)</sup> Other ambient temperatures on request

## Ex-safety switches



3-pole

3-pole EMERGENCY STOP

6-pole

6-pole EMERGENCY STOP

### Ordering details

5

Version	Cable gland	Order No.
<b>Safety switch 125 A</b>		
<b>Version with 2 auxiliary contact (1 NO; 1 x NC)</b>		
3-pole	2 x M63 / 1 x M25	GHG 265 0010 R0001
4-pole	2 x M40	GHG 265 0010 R0005
3-pole EMERGENCY STOP	2 x M63 / 1 x M25	GHG 265 0010 R0002
6-pole	4 x M63 / 1 x M25	EXKO 224716 K 0000
6-pole EMERGENCY STOP	4 x M63 / 1 x M25	EXKO 224726 K 0000

Customized version on request, auxiliary contacts in Ex ia available

### Accessories

#### Mounting plate for Ex-safety switches 125 A 3-pole<sup>2)</sup>

Type	Application	Fixing method	Order No.
Size 3	2 x pipe clamp	screw-on <sup>1)</sup>	GHG 610 1953 R0110

<sup>1)</sup> observe mounting distance

<sup>2)</sup> 2 pcs. necessary for mounting

#### Accessories for mounting plates

Type	OU	Order No.
Label holder with type label (blank) for mounting plate size 1, 2, 2A and 3	10	GHG 610 1953 R0057
Mounting set for pipes 1" (of 27 - 30 mm) for mounting plates with pipe fixing	10	GHG 610 1953 R0020

Please pay attention that only order units (OU) according to the ordering details can be delivered.



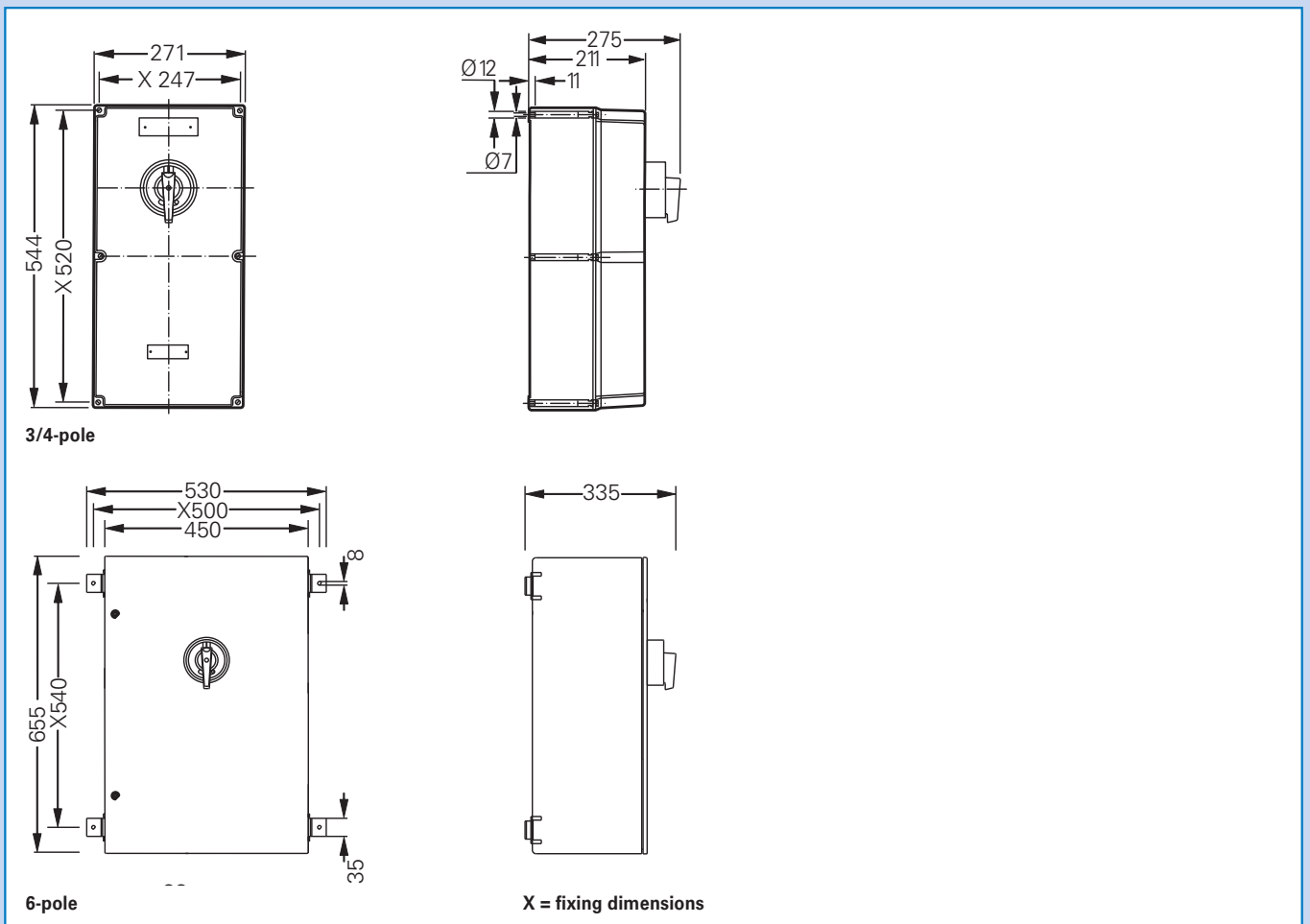
6-pole EMERGENCY STOP

6-pole

3-pole EMERGENCY STOP

3-pole

**Dimension drawing**



## Ex-safety switches



3-pole

3-pole EMERGENCY STOP

6-pole

6-pole EMERGENCY STOP

### Technical data

5

#### Ex-safety switches 180 A

Marking accd. to 94/9/EC		II 2 G Ex de IIC T6 II 2 D Ex tD A21 IP66 T80 °C
EC-Type Examination Certificate	3-pole	PTB 99 ATEX 1164
	6-pole	PTB 00 ATEX 1073
IECEX Certificate of Conformity		BKI 07.0005
Marking accd. to IECEx		Ex de IIC T6 -55 °C up to +45 °C Ex tD A21 IP66 T53 °C
Permissible ambient temperature		-20 °C up to +40 °C <sup>1)</sup>
Rated voltage		up to max. 690 V
Frequency		50/60 Hz
Rated making/breaking capacity AC-3 accd. EN 60947-3		$U_n$ 230 V / $I_n$ 180 A $U_n$ 400 V / $I_n$ 180 A $U_n$ 500 V / $I_n$ 150 A $U_n$ 690 V / $I_n$ 125 A
Back-up fuse		up to 400 V AC: 250 A gL up to 500 V AC: 250 A gL up to 690 V AC: 200 A gL
Connecting terminals	main contact 3-pole	1 x 120 mm <sup>2</sup>
	6-pole	6 x 150 mm <sup>2</sup> /2 x 95 mm <sup>2</sup>
	auxiliary/signal contact	2 x 4 mm <sup>2</sup>
Protection class		I
Degree of protection accd. to EN 60529		IP66
Cable glands/enclosure drilling		M25 (d = 8 - 17 mm) see ordering details M40 (d = 16 - 28 mm) see ordering details M63 (d = 27 - 48 mm) see ordering details Option: metal flange with 2 x thread
Weight	3-pole	approx. 16.5 kg
	6-pole	approx. 31.5 kg
Enclosure material	3-pole	glass-fibre reinforced polyester
	6-pole	sheet steel polyester powder coated
Enclosure colour	3-pole	black
	6-pole	RAL 7032
Auxiliary contact		1 x NO making - lagging; breaking - leading 1 x NC making - leading; breaking - lagging
Padlocking facility		can be locked in OFF position with 3 commercially available padlocks (Ø max. 6 mm)

<sup>1)</sup> Other ambient temperatures on request



**Ordering details**

Version	Cable gland	Order No.
<b>Safety switch 180 A</b>		
<b>Version with 2 auxiliary contacts (1 NO; 1 x NC)</b>		
3-pole	2 x M63 / 1 x M25	GHG 266 0006 R0001
3-pole EMERGENCY STOP	2 x M63 / 1 x M25	GHG 266 0006 R0002
6-pole	4 x M63 / 1 x M25	EXKO 224716 L 0000
6-pole EMERGENCY STOP	4 x M63 / 1 x M25	EXKO 224726 L 0000

Customized version on request, auxiliary contacts in Ex ia available

**Accessories**

**Mounting plate for Ex-safety switches 180 A 3-pole<sup>2)</sup>**

Type	Application	Fixing method	Order No.
Size 3	2 x pipe clamp	screw-on <sup>1)</sup>	GHG 610 1953 R0110

<sup>1)</sup> observe mounting distance

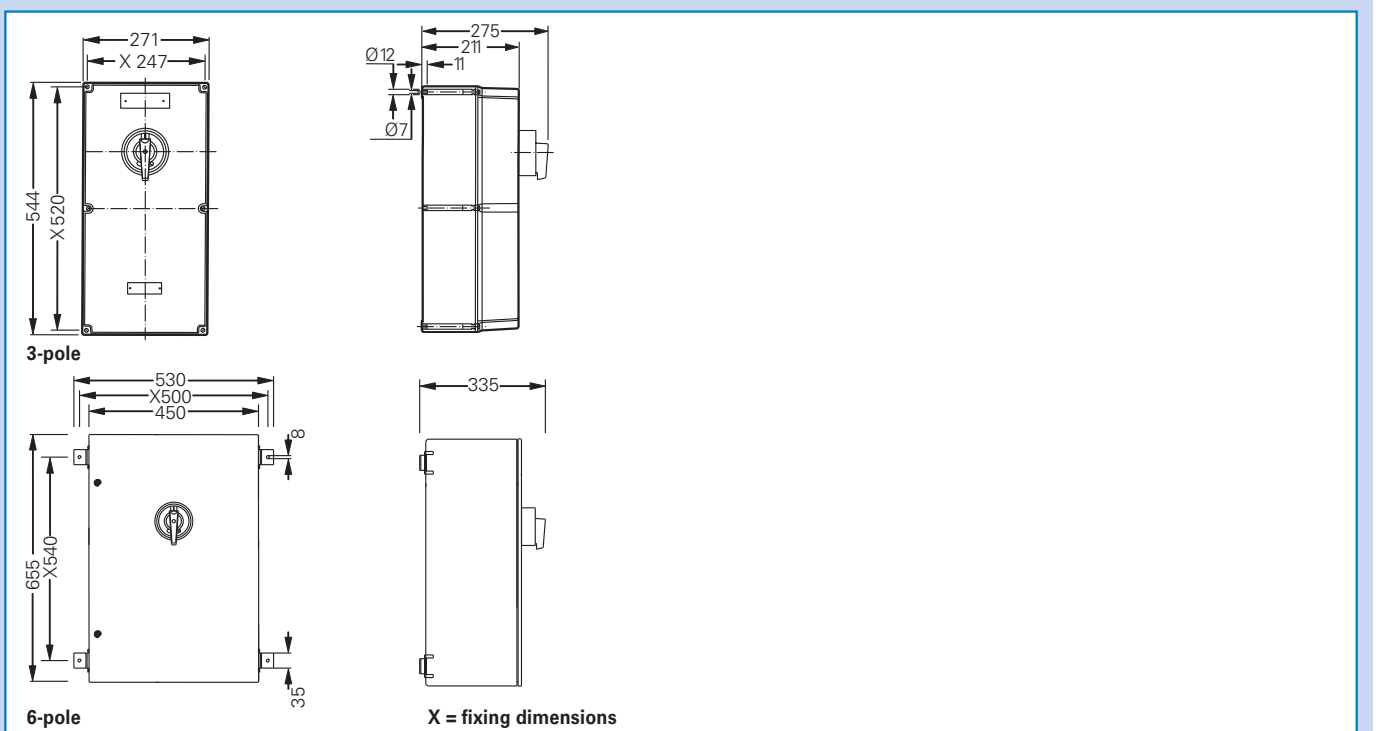
<sup>2)</sup> 2 pcs. necessary for mounting

**Accessories for mounting plates**

Type	OU	Order No.
Label holder with label (unlabelled) for mounting plate size 1, 2, 2A and 3	10	GHG 610 1953 R0057
Mounting set for pipes 1" (of 27 - 30 mm) for mounting plates with pipe fixing	10	GHG 610 1953 R0020

Please pay attention that only order units (OU) according to the ordering details can be delivered.

**Dimension drawing**



Dimensions in mm

## Ex-safety switches



3-pole



3-pole EMERGENCY STOP



6-pole



6-pole EMERGENCY STOP

### Technical data

5

#### Ex-safety switches 210 A

Marking accd. to 94/9/EC	⊕ II 2 G Ex de IIC T6, T5 bzw. T4 <sup>1)</sup> / ⊕ II 2 D IP66 T80 °C/T95 °C	
EC-Type Examination Certificate	PTB 99 ATEX 1057	
IECEX Certificate of Conformity	BKI 06.0006	
Marking accd. to IECEx	Ex de ia/ib [ia/ib] IIC T6, T5 or T4 Ex tD A21 IP66 T80 °C, T95 °C or T130 °C	
Permissible ambient temperature	-20 °C up to +40 °C	
Rated voltage	up to max. 690 V	
Rated current	max. 210 A	
Frequency	50/60 Hz	
Rated making/breaking capacity AC-3 accd. EN 60947-3	U <sub>o</sub> 230 V / I <sub>o</sub> 210 A U <sub>o</sub> 400 V / I <sub>o</sub> 210 A U <sub>o</sub> 500 V / I <sub>o</sub> 210 A U <sub>o</sub> 690 V / I <sub>o</sub> 210 A	
Back-up fuse	up to 400 V AC: 250 A gL up to 500 V AC: 250 A gL up to 690 V AC: 200 A gL	
Connecting terminals	main contact	3-pole 3 x 150 mm <sup>2</sup> /95 mm <sup>2</sup> 6-pole 6 x 150 mm <sup>2</sup> /2 x 95 mm <sup>2</sup> auxiliary/signal contact 2 x 4 mm <sup>2</sup>
Protection class	I	
Degree of protection accd. to EN 60529	IP54 (IP65 optional)	
Cable glands/enclosure drilling	M25 (d = 8 - 17 mm) see ordering details M63 (d = 27 - 48 mm) see ordering details	
Weight	3-pole	approx. 41.5 kg
	6-pole	approx. 84.5 kg
Enclosure material	aluminium, powder-coated polyester connection box steel, powder-coated	
Colour	Enclosure	grey (RAL 7032)
	Cover	dark grey (RAL 7022)
Auxiliary contact	1 x NO making - lagging; breaking - leading 1 x NC making - leading; breaking - lagging	
Padlocking facility	can be locked in OFF position with 3 commercially available padlocks (Ø max. 6 mm)	

<sup>1)</sup> Also available with Explosion Group IIB

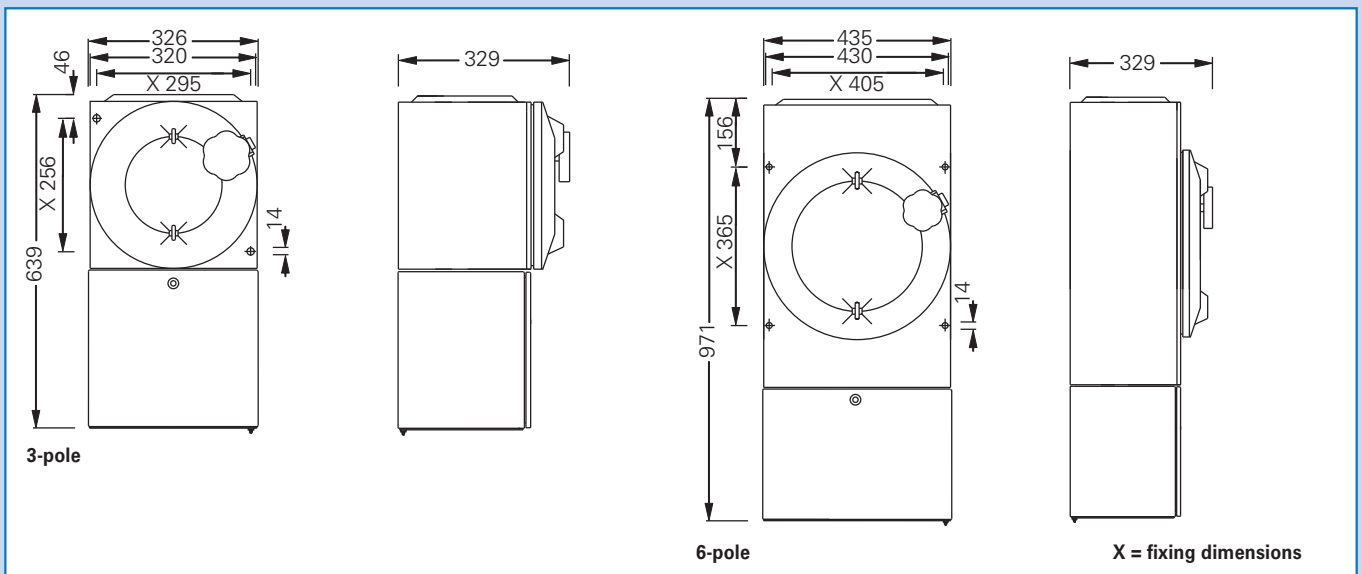


**Ordering details**

Content	Cable gland	Order No.
<b>Safety switch 210 A 3-pole</b>		
<b>Version with 2 auxiliary contacts (1 NO; 1 x NC)</b>		
3-pole	2 x M63 / 1 x M25	EXKO 731713 S0001
3-pole EMERGENCY STOP	2 x M63 / 1 x M25	EXKO 731723 S0001
<b>Safety switch 210 A 6-pole</b>		
<b>Version with 2 auxiliary contacts (1 NO; 1 x NC)</b>		
6-pole	4 x M63 / 1 x M25	EXKO 731716 S0001
6-pole EMERGENCY STOP	4 x M63 / 1 x M25	EXKO 731726 S0001

Customized version on request, auxiliary contacts in Ex ia available

**Dimension drawing**



## Ex-safety switches



3-pole

3-pole EMERGENCY STOP

6-pole

6-pole EMERGENCY STOP

### Technical data

5

#### Ex-safety switches 250 A

Marking accd. to 94/9/EC	⊕ II 2 G Ex de IIC T6, T5 bzw. T4 <sup>1)</sup> / ⊕ II 2 D IP66 T80 °C/T95 °C	
EC-Type Examination Certificate	PTB 99 ATEX 1057	
IECEX Certificate of Conformity	BKI 06.0006	
Marking accd. to IECEX	Ex de ia/ib [ia/ib] IIC T6, T5 or T4 Ex tD A21 IP66 T80 °C, T95 °C or T130 °C	
Permissible ambient temperature	-20 °C up to +40 °C <sup>2)</sup>	
Rated voltage	up to max. 690 V	
Rated current	max. 250 A	
Frequency	50/60 Hz	
Rated making/breaking capacity AC-3 accd. EN 60947-3	U <sub>o</sub> 230 V / I <sub>o</sub> 250 A U <sub>o</sub> 400 V / I <sub>o</sub> 250 A U <sub>o</sub> 500 V / I <sub>o</sub> 250 A U <sub>o</sub> 690 V / I <sub>o</sub> 250 A	
Back-up fuse	up to 400 V AC: 250 A gL up to 500 V AC: 250 A gL up to 690 V AC: 200 A gL	
Connecting terminals	main contact	3-pole 3 x 150 mm <sup>2</sup> /95 mm <sup>2</sup> 6-pole 6 x 150 mm <sup>2</sup> /2 x 95 mm <sup>2</sup> auxiliary/signal contact 2 x 4 mm <sup>2</sup>
Protection class	I	
Degree of protection accd. to EN 60529	IP54 (IP65 optional)	
Cable glands/enclosure drilling	M25 (d = 8 - 17 mm) see ordering details M63 (d = 27 - 48 mm) see ordering details	
Weight	3-pole	approx. 41.5 kg
	6-pole	approx. 84.5 kg
Enclosure material	aluminium, powder-coated polyester connection box steel, powder-coated	
Colour	Enclosure	grey (RAL 7032)
	Cover	dark grey (RAL 7022)
Auxiliary contact	1 x NO making - lagging; breaking - leading 1 x NC making - leading; breaking - lagging	
Padlocking facility	can be locked in OFF position with 3 commercially available padlocks (Ø max. 6 mm)	

<sup>1)</sup> Also available with Explosion Group IIB

<sup>2)</sup> Other ambient temperatures on request



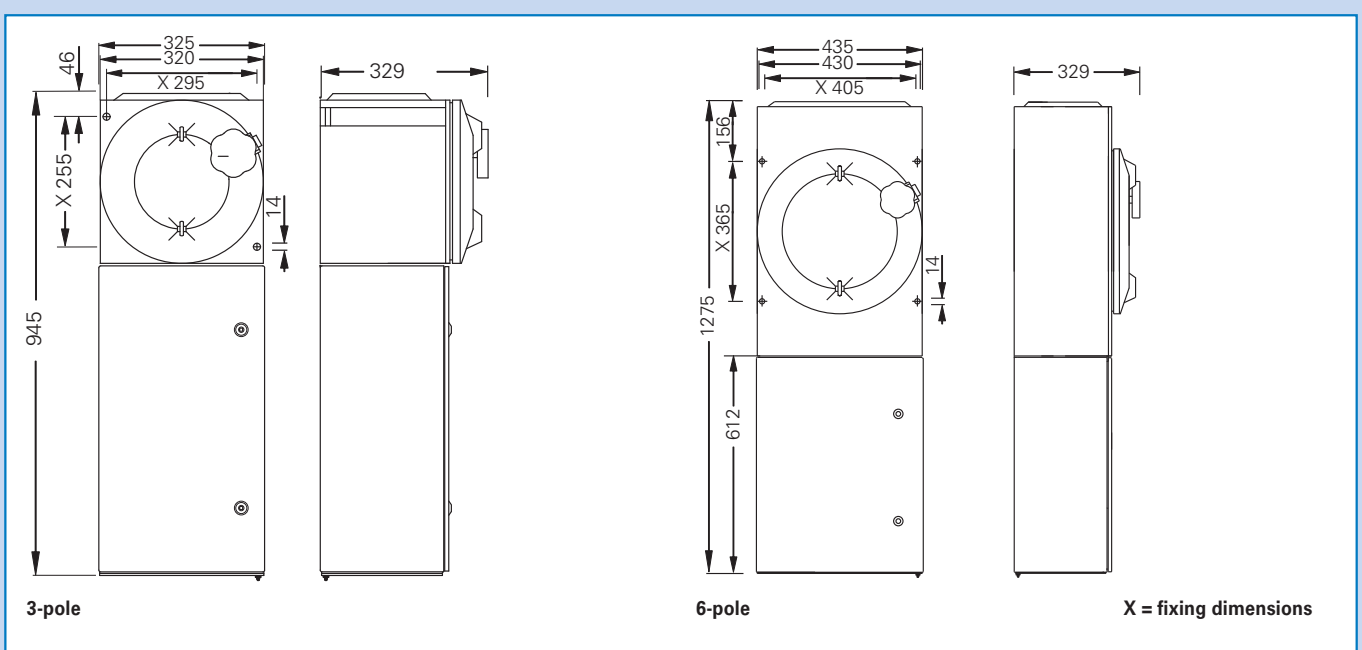


**Ordering details**

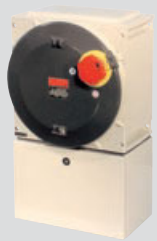
Content	Cable gland	Order No.
<b>Safety switch 250 A 3-pole</b>		
<b>Version with 2 auxiliary contacts (1 NO; 1 x NC)</b>		
3-pole	2 x M63 / 1 x M25	EXKO 731713 T0001
3-pole EMERGENCY STOP	2 x M63 / 1 x M25	EXKO 731723 T0001
<b>Safety switch 250 A 6-pole</b>		
<b>Version with 2 auxiliary contacts (1 NO; 1 x NC)</b>		
6-pole	4 x M63 / 1 x M25	EXKO 731716 T0001
6-pole EMERGENCY STOP	4 x M63 / 1 x M25	EXKO 731726 T0001

Customized version on request, auxiliary contacts in Ex ia available

**Dimension drawing**



## Ex-safety switches



3-pole



3-pole EMERGENCY STOP

### Technical data

5

#### Ex-safety switches 400 A

Marking accd. to 94/9/EC	Ⓔ II 2 G Ex de IIC T6, T5 bzw. T4 <sup>1)</sup> / Ⓔ II 2 D IP66 T80 °C/T95 °C	
EC-Type Examination Certificate	PTB 99 ATEX 1057	
IECEX Certificate of Conformity	BKI 06.0006	
Marking accd. to IECEx	Ex de ia/ib [ia/ib] IIC T6, T5 or T4 Ex tD A21 IP66 T80 °C, T95 °C or T130 °C	
Permissible ambient temperature	-20 °C up to +40 °C <sup>2)</sup>	
Rated voltage	up to max. 690 V	
Rated current	max. 400 A	
Frequency	50/60 Hz	
Rated making/breaking capacity AC-3 accd. EN 60947-3	U <sub>o</sub> 230 V / I <sub>o</sub> 400 A U <sub>o</sub> 400 V / I <sub>o</sub> 400 A U <sub>o</sub> 500 V / I <sub>o</sub> 400 A U <sub>o</sub> 690 V / I <sub>o</sub> 400 A	
Back-up fuse	up to 400 V AC: 500 A gL up to 500 V AC: 500 A gL up to 690 V AC: 500 A gL	
Connecting terminals	main contact	6 x 150 mm <sup>2</sup> /2 x 95 mm <sup>2</sup>
	auxiliary/signal contact	2 x 4 mm <sup>2</sup>
Protection class	I	
Degree of protection accd. to EN 60529	IP54 (IP65 optional)	
Cable glands/enclosure drilling	M25 (d = 8 - 17 mm) see ordering details M63 (d = 27 - 48 mm) see ordering details	
Weight	approx. 64.5 kg	
Enclosure material	aluminium, powder-coated polyester connection box steel, powder-coated	
Colour	Enclosure	grey (RAL 7032)
	Cover	dark grey (RAL 7022)
Auxiliary contact	1 x NO making - lagging; breaking - leading 1 x NC making - leading; breaking - lagging	
Padlocking facility	can be locked in OFF position with 3 commercially available padlocks (Ø max. 6 mm)	

<sup>1)</sup> Also available with Explosion Group IIB

<sup>2)</sup> Other ambient temperatures on request



3-pole EMERGENCY STOP



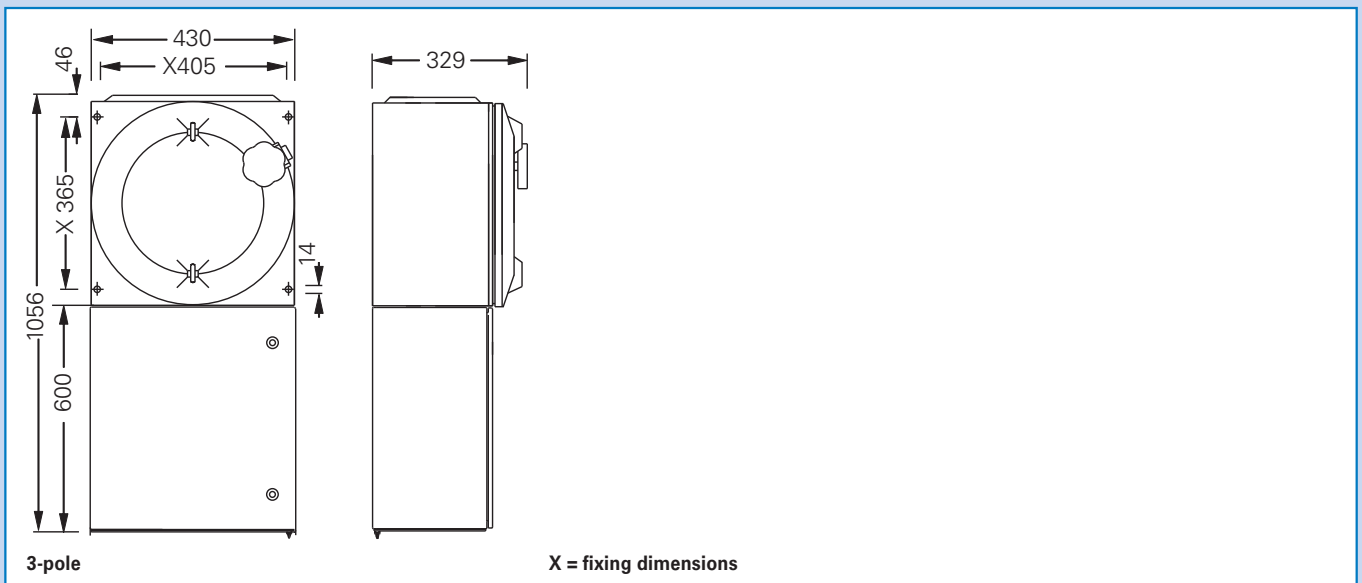
3-pole

### Ordering details

Content	Cable gland	Order No.
<b>Safety switch 400 A 3-pole</b>		
<b>Version with 2 auxiliary contacts (1 NO; 1 x NC)</b>		
3-pole	4 x M63 / 1 x M25	EXKO 731713 U0001
3-pole EMERGENCY STOP	4 x M63 / 1 x M25	EXKO 731723 U0001

Customized version on request, auxiliary contacts in Ex ia available

### Dimension drawing



## Ex-safety switches



3-pole

### Technical data

#### Ex-safety switches 630 A

Marking accd. to 94/9/EC	Ⓔ II 2 G Ex de IIC T6, T5 bzw. T4 <sup>1)</sup> / Ⓔ II 2 D IP66 T80 °C/T95 °C	
EC-Type Examination Certificate	PTB 99 ATEX 1057	
IECEX Certificate of Conformity	BKI 06.0006	
Marking accd. to IECEx	Ex de ia/ib [ia/ib] IIC T6, T5 or T4 Ex tD A21 IP66 T80 °C, T95 °C or T130 °C	
Permissible ambient temperature	-20 °C up to +40 °C <sup>2)</sup>	
Rated voltage	up to max. 690 V	
Rated current	max. 630 A	
Frequency	50/60 Hz	
Rated making/breaking capacity AC-3 accd. EN 60947-3	U <sub>o</sub> 230 V / I <sub>o</sub> 630 A U <sub>o</sub> 400 V / I <sub>o</sub> 630 A U <sub>o</sub> 500 V / I <sub>o</sub> 630 A U <sub>o</sub> 690 V / I <sub>o</sub> 630 A	
Back-up fuse	up to 400 V AC: 800 A gL up to 500 V AC: 800 A gL up to 690 V AC: 800 A gL	
Connecting terminals	main contact	6 x 240 mm <sup>2</sup> /2 x 120 mm <sup>2</sup>
	auxiliary/signal contact	2 x 4 mm <sup>2</sup>
Protection class	I	
Degree of protection accd. to EN 60529	IP54 (IP65 optional)	
Cable glands/enclosure drilling	M25 (d = 8 - 17 mm) see ordering details M80 (d = 62 - 68 mm) see ordering details	
Weight	approx. 245 kg	
Enclosure material	steel, powder-coated polyester connection box steel, powder-coated	
Colour	Enclosure	grey (RAL 7032)
	Cover	dark grey (RAL 7022)
Auxiliary contact	1 x NO making - lagging; breaking - leading 1 x NC making - leading; breaking - lagging	
Padlocking facility	can be locked in OFF position with 3 commercially available padlocks (Ø max. 6 mm)	

<sup>1)</sup> Also available with Explosion Group IIB

<sup>2)</sup> Other ambient temperatures on request



3-pole

**Ordering details**

Content	Cable gland	Order No.
<b>Safety switch 630 A 3-pole</b>		
<b>Version with 2 auxiliary contacts (1 NO; 1 x NC)</b>		
3-pole	4 x M80 / 1 x M25	EXKO 731713 V0001
3-pole EMERGENCY STOP	4 x M80 / 1 x M25	EXKO 731723 V0001

Customized version on request, auxiliary contacts in Ex ia available

**Dimension drawing**

