

EX - PLUGS AND RECEPTACLES

16 A up to 125 A
plugs and receptacles with status LED for zone 1, 2, 21 and 22

1 Operating conditions at a glance

The integrated white LED with green coloured lens indicates different operating conditions of the used type of wall socket.

Type Line:

Indicates, when the wall socket is connected to mains

Type Load:

Indicates, when the plug is correctly inserted and switched

CEAG plugs and receptacles offer more, apart from the proven technology, this product series is defined by its innovative details. For example, the very efficient cable strain relief or the coding system of the various versions offers different solutions for a secure and problem-free utilization in all areas.

The CEAG wall socket for instance can be mounted on to the pre-installed mounting frame without having to use tools – installation without a hot work permit.

- Interlocking switch design
- Easy plug-in & disconnect
- Self-cleaning multi-lamella contact design with low transition resistance
- High level of ingress protection (IP66) even in its plugged-in state
- High durability and chemical resistance
- Wide product range for international applications: 16 A - 125 A Series 1
- Fully compatible with existing plugs of the proven GHG 51 ... series...





Technical data

Ex-wall socket 16 A- 125 A acc. to IEC 60309-1/2 up to 690 V

Marking accd. to 94/9/EC	⊕ D II 2 G Ex ed IIC T6 / ⊕ D II 2 D Ex tD A21 IP66 T80°C
Permissible ambient temperature	-20 °C to +40 °C ¹⁾
Rated voltage	230/400 V AC
Frequency	50/60 Hz
Protection class	I
Degree of protection accd. to EN 60529	IP66
Enclosure material	glass-fibre reinforced polyester

Wall socket 16 A

EC-Type Examination Certificate	PTB 99 ATEX 1039
Rated making / Rated breaking capacity	AC-3 accd. EN 60947-3: U _e 690 V / I _e 16 A
Cable entry	1 x M25 Ø 8 - 17 mm, 1 x M25 thread plug plastic
Rated current	16 A
External back-up fuse, max.	without therm. protection: 16 A/ with therm. protection 35 A gL (rated current 16 A set to)
Connecting terminals	2 x 1.5 - 4 mm ²

Wall socket 32 A

EC-Type Examination Certificate	PTB 99 ATEX 1044
IECEX Certificate of conformity	IECEX BKI 06.0007
Marking accd. to IECEx	Ex de ia/ib m [ia/ib] IIC T4...T6
Rated making / Rated breaking capacity	AC-3 accd. EN 60947-3: U _e 690 V / I _e 32 A
Cable entry	1 x M40 Ø 17 - 28 mm, 1 x M40 thread plug plastic
Rated current	32 A
External back-up fuse, max.	without therm. protection: 32 A/ with therm. protection 50 A gL (rated current 32 A set to)
Connecting terminals	2 x 4 - 10 mm ²

Wall socket 63 A

EC-Type Examination Certificate	PTB 00 ATEX 1070
Rated making / Rated breaking capacity	AC-3 accd. EN 60947-3: U _e 690 V / I _e 63 A
Cable entry	1 x M50 Ø 22 - 35 mm, 1 x M50 thread plug plastic
Rated current	63 A
External back-up fuse, max.	without therm. protection: 63 A/ with therm. protection 80 A gL (rated current 63 A set to)
Connecting terminals	2 x 4 - 25 mm ²

Wall socket 125 A

EC-Type Examination Certificate	PTB 01 ATEX 1069
Rated making / Rated breaking capacity	AC-3 accd. EN 60947-3: U _e 690 V / I _e 125 A
Cable entry	1 x M63 Ø 27 - 48 mm, 1 x M63 thread plug plastic
Rated current	125 A
External back-up fuse, max.	without therm. protection: 125 A/ with therm. protection 125 A gL (rated current 125 A set to)
Connecting terminals	2 x 4 - 70 mm ²

¹⁾ extended temperature range on request

Ex-Wall sockets 16 A- 125 A with status LED



Wall socket 16 A



Wall socket 32 A



Wall socket 63 A



Wall socket 125 A

Ordering details 16/32/63/125 A 3-pole, 4-pole and 5-pole up to 415V

Voltage	h	Type	Weight approx.	Order No.
Type 16 A line				
110 V - 130 V	4 h	Wall socket - 3 pole	1.3 kg	GHG 511 4304 R0301
200 V - 250 V	6 h	Wall socket - 3 pole	1.3 kg	GHG 511 4306 R0301
110 V - 130 V	4 h	Wall socket - 5 pole	1.9 kg	GHG 511 4504 R0301
380 V - 415 V	6 h	Wall socket - 5 pole	1.9 kg	GHG 511 4506 R0301
240 V - 415 V	8 h	Wall socket - 5 pole	1.9 kg	GHG 511 4508 R0301
Type 16 A load				
110 V - 130 V	4 h	Wall socket - 3 pole	1.3 kg	GHG 511 4304 R0351
200 V - 250 V	6 h	Wall socket - 3 pole	1.3 kg	GHG 511 4306 R0351
110 V - 130 V	4 h	Wall socket - 5 pole	1.9 kg	GHG 511 4504 R0351
380 V - 415 V	6 h	Wall socket - 5 pole	1.9 kg	GHG 511 4506 R0351
240 V - 415 V	8 h	Wall socket - 5 pole	1.9 kg	GHG 511 4508 R0351
Type 32 A line				
110 V - 130 V	4 h	Wall socket - 5 pole	2.8 kg	GHG 619 0001 R0001
380 V - 415 V	6 h	Wall socket - 5 pole	2.8 kg	GHG 619 0001 R0002
380 V - 415 V	8 h	Wall socket - 5 pole	2.8 kg	GHG 619 0001 R0003
Type 32 A load				
110 V - 130 V	4 h	Wall socket - 5 pole	2.8 kg	GHG 619 0001 R0004
380 V - 415 V	6 h	Wall socket - 5 pole	2.8 kg	GHG 619 0001 R0005
380 V - 415 V	8 h	Wall socket - 5 pole	2.8 kg	GHG 619 0001 R0006
Type 63 A line				
110 V - 130 V	4 h	Wall socket - 5 pole	8.2 kg	GHG 514 4504 R0301
380 V - 415 V	6 h	Wall socket - 5 pole	8.2 kg	GHG 514 4506 R0301
380 V - 415 V	8 h	Wall socket - 5 pole	8.2 kg	GHG 514 4508 R0301
Type 63 A load				
110 V - 130 V	4 h	Wall socket - 5 pole	8.2 kg	GHG 514 4504 R0351
380 V - 415 V	6 h	Wall socket - 5 pole	8.2 kg	GHG 514 4506 R0351
380 V - 415 V	8 h	Wall socket - 5 pole	8.2 kg	GHG 514 4508 R0351
Type 125 A line				
110 V - 130 V	4 h	Wall socket - 5 pole	12.6 kg	GHG 515 4504 R0301
380 V - 415 V	6 h	Wall socket - 5 pole	12.6 kg	GHG 515 4506 R0301
380 V - 415 V	8 h	Wall socket - 5 pole	12.6kg	GHG 515 4508 R0301
Type 125 A load				
110 V - 130 V	4 h	Wall socket - 5 pole	12.6 kg	GHG 515 4504 R0351
380 V - 415 V	6 h	Wall socket - 5 pole	12.6 kg	GHG 515 4506 R0351
380 V - 415 V	8 h	Wall socket - 5 pole	12.6 kg	GHG 515 4508 R0351

Other voltage ranges and h-codes on request.



Wall socket 16 A

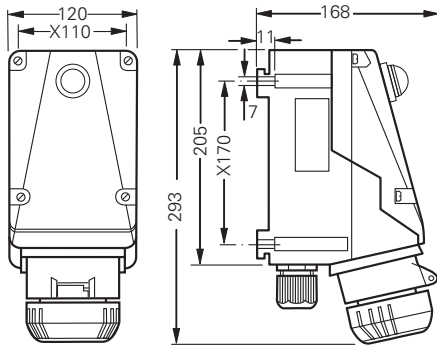
Wall socket 32 A

Wall socket 63 A

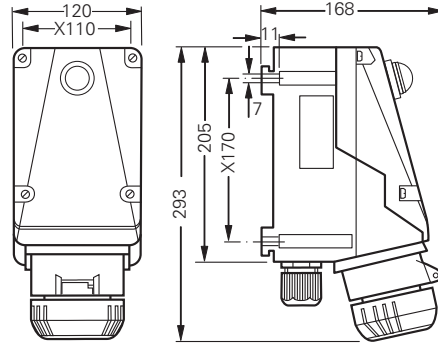
Wall socket 125 A

1

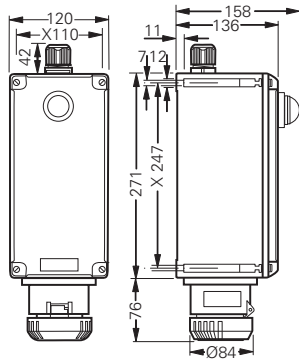
Dimension drawing | Wiring diagram



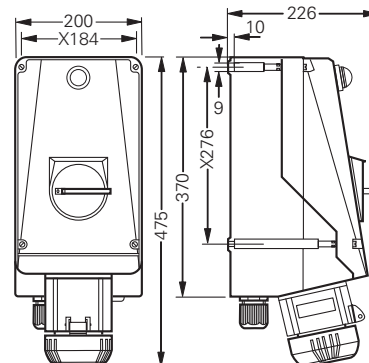
Wall socket 16 A 3-pole



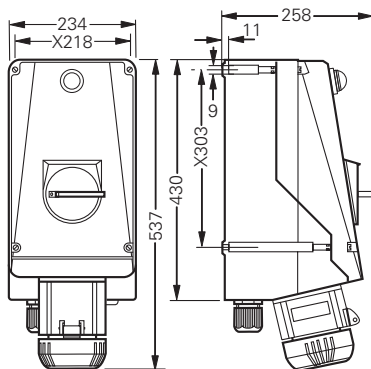
Wall socket 16 A 5-pole



Wall socket 32 A 5-pole

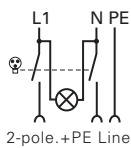


Wall socket 63 A 5-pole

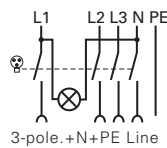


Wall socket 125 A 5-pole

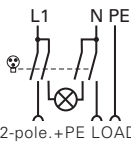
X = fixing dimensions



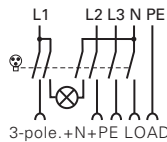
2-pole.+PE Line



3-pole.+N+PE Line



2-pole.+PE LOAD



3-pole.+N+PE LOAD

Dimensions in mm