

20 A 3-pole, 4-pole and 5-pole up to 600 V IEC 309 Series 2 - CSA



Plug

Wall socket

Technical data

Ex-plugs and receptacles acc. to IEC 60309-Series 2 20 A

| | |
|--|---|
| Certificate of Compliance | CSA 2080082 |
| Marking accd. to NEC 500 | Class I Div 2 Group A, B, C and D, Class II Div. 1 Group E, F, and G |
| Marking accd. to NEC 505/CEC 18 | Class I Zone 1 AEx ed IIC T6 / Ex ed IIC T6 |
| Permissible ambient temperature | -45°C up to +55°C ¹⁾ |
| Rated voltage | 480 V (3-pole) / 600 V (4-pole) / 480 V (5-pole) AC |
| Rated current | 20 A |
| Frequency | up to 400 Hz |
| Rated switching capacity | 3-pole: 277 V / 3 HP, 4-pole: 600 V / 10 Hp 60 Hz, 5-pole: 600 V / 10 HP (60 Hz) |
| External back-up fuse, max. | without therm. protection: 20 A with therm. protection: 35 A gL (rated current 20A set to) |
| Protection class | I |
| Degree of protection accd. to EN 60529 | IP66 |

Wall socket

| | |
|----------------------|----------------------------------|
| Cable entry | 1x 1/2" or 1x 3/4" NPT Myers Hub |
| Connecting terminals | 2 x AWG 16 - 12 |
| Enclosure material | glass-fibre reinforced polyester |

Plug

| | |
|----------------------|---|
| Cable entry | Ø 8 - 19 mm (3-pole) / Ø 8 - 21 mm (4-pole) / 12 - 21 mm (5-pole) |
| Connecting terminals | 1 x AWG 17 - 14 |
| Enclosure material | Polyamide |

¹⁾ + 55 °C with reduced line current






| 20 A 3-pole, 4-pole and 5-pole up to 600 V IEC 309 Series 2 - CSA |



1

Ordering details

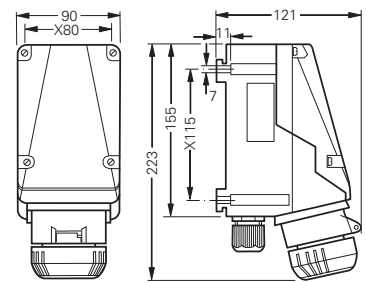
| Voltage | h | Type | Aux. contact | Cable entry | Weight approx. | Order No. |
|-------------------------|---|-------------|--------------|-------------|----------------|---------------------------|
| Type 20 A 3-pole | | | | | | |
| 125 V |  | Wall socket | – | ME20 | 1.4 kg | GHG 511 4304 L3001 |
| | | Plug | – | | 0.38 kg | |
| | | 4 h | | | | |
| 250 V |  | Wall socket | – | ME20 | 1.4 kg | GHG 511 4306 L3001 |
| | | Plug | – | | 0.38 kg | |
| | | 6 h | | | | |
| Type 20 A 4-pole | | | | | | |
| 3Ø 600 V |  | Wall socket | – | ME25 | 1.9 kg | GHG 511 4405 L3001 |
| | | Plug | – | | 1.9 kg | |
| | | 5 h | | | | |
| 3Ø 480 V |  | Wall socket | – | ME25 | 1.9 kg | GHG 511 4407 L3001 |
| | | Plug | – | | 1.9 kg | |
| | | 7 h | | | | |
| 3Ø 250 V |  | Wall socket | – | ME25 | 1.9 kg | GHG 511 4409 L3001 |
| | | Plug | – | | 1.9 kg | |
| | | 9 h | | | | |

Other voltage ranges and versions available on request

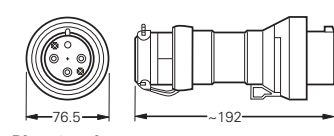
ME20 = 2 x metal thread M20, 1 x 1/2" Myers Hub adapter, 1 x M20 plastic Ex-screw plug

ME25 = 2 x metal thread M25, 1 x 3/4" Myers Hub adapter, 1 x M25 plastic Ex-screw plug

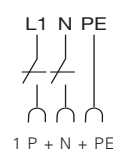
Dimension drawing | Wiring diagram



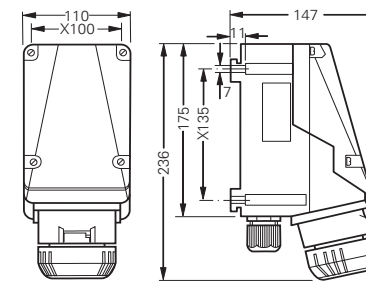
Wall socket 3-pole



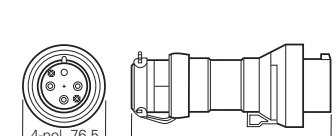
Plug 3-pole



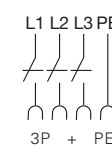
1 P + N + PE



Wall socket 4/5-pole



Plug 4/5-pole



3P + PE

X = fixing dimensions

Dimensions in mm

30 A 4-pole up to 600 V IEC 309 Series 2 - CSA



Wall socket



Plug

Technical data

Ex-plugs and receptacles acc. to IEC 60309-Series 2 30 A

| | |
|--|--|
| Certificate of Compliance | CSA 2080082 |
| Marking accd. to NEC 500 | Class I Div 2 Group A, B, C and D, Class II Div. 1 Group E, F, and G |
| Marking accd. to NEC 505/CEC 18 | Class I Zone 1 AEx ed IIC T6 / Ex ed IIC T6 |
| Permissible ambient temperature | -45°C up to +55°C |
| Rated voltage | 600 V AC |
| Rated current | 30 A |
| Frequency | up to 400 Hz |
| Rated switching capacity | 600 V 30 A |
| External back-up fuse, max. | without therm. protection: 30 A with therm. protection: 50 A gL (rated current 30 A set to) |
| Protection class | I |
| Degree of protection accd. to EN 60529 | IP66 |

Wall socket

| | |
|----------------------|--|
| Cable entry | 1 x 1" NPT Myers Hub, 1 x M32 thread with screw plug |
| Connecting terminals | 2 x AWG 12-8 |
| Enclosure material | glass-fibre reinforced polyester |

Plug

| | |
|----------------------|-----------------|
| Cable entry | Ø 17 - 28 mm |
| Connecting terminals | 1 x AWG 18 - 10 |
| Enclosure material | Polyamide |





1

Ordering details

| Voltage | h | Type | Aux. contact | Cable entry | Weight approx. | Order No. |
|-------------------------|---|-------------|--------------|-------------|----------------|---------------------------|
| Type 30 A 4-pole | | | | | | |
| 3Ø 600 V | | Wall socket | - | ME32 | 2.1 kg | GHG 512 4405 L3001 |
| | | Plug | - | | 0.4 kg | GHG 512 7405 L0001 |
| 3Ø 480 V | | Wall socket | - | ME32 | 2.1 kg | GHG 512 4407 L3001 |
| | | Plug | - | | 0.4kg | GHG 512 7407 L0001 |
| 3Ø 250 V | | Wall socket | - | ME32 | 2.1kg | GHG 512 4409 L3001 |
| | | Plug | - | | 0.4kg | GHG 512 7409 L0001 |

Other voltage ranges and versions available on request

ME32 = 2 x metal thread M32, 1 x 1" Myers Hub adapter, 1 x M32 plastic Ex-screw plug

Dimension drawing | Wiring diagram

Wall socket 4-pole

Plug 4-pole

3P + PE

X = fixing dimensions

Dimensions in mm

| 60 A 4-pole up to 600 V IEC 309 Series 2 - CSA |

1



Wall socket



Plug

Technical data

Ex-plugs and receptacles acc. to IEC 60309-Series 2 60 A

| | |
|--|--|
| Certificate of Compliance | CSA 2089057 |
| Marking accd. to NEC 500 | Class I Div 2 Group A, B, C and D, Class II Div. 1 Group E, F, and G |
| Marking accd. to NEC 505/CEC 18 | Class I Zone 1 AEx ed IIC T6 / Ex ed IIC T6 |
| Permissible ambient temperature | -20°C up to +40°C |
| Rated voltage | 600 V) AC |
| Rated current | 60 A |
| Frequency | up to 400 Hz |
| Rated switching capacity | 600 V 60 A |
| External back-up fuse, max. | without therm. protection: 60 A with therm. protection: 80 A gL (rated current 60 A set to) |
| Protection class | I |
| Degree of protection accd. to EN 60529 | IP66 |

Wall socket

| | |
|----------------------|--|
| Cable entry | 1 x 1 1/4" NPT Myers Hub, 1 x M40 thread with screw plug |
| Connecting terminals | 2 x AWG 12 - 4 |
| Enclosure material | glass-fibre reinforced polyester |

Plug

| | |
|----------------------|----------------|
| Cable entry | Ø 19 - 34 mm |
| Connecting terminals | 1 x AWG 12 - 6 |
| Enclosure material | Polyamide |








Plug

Wall socket

1

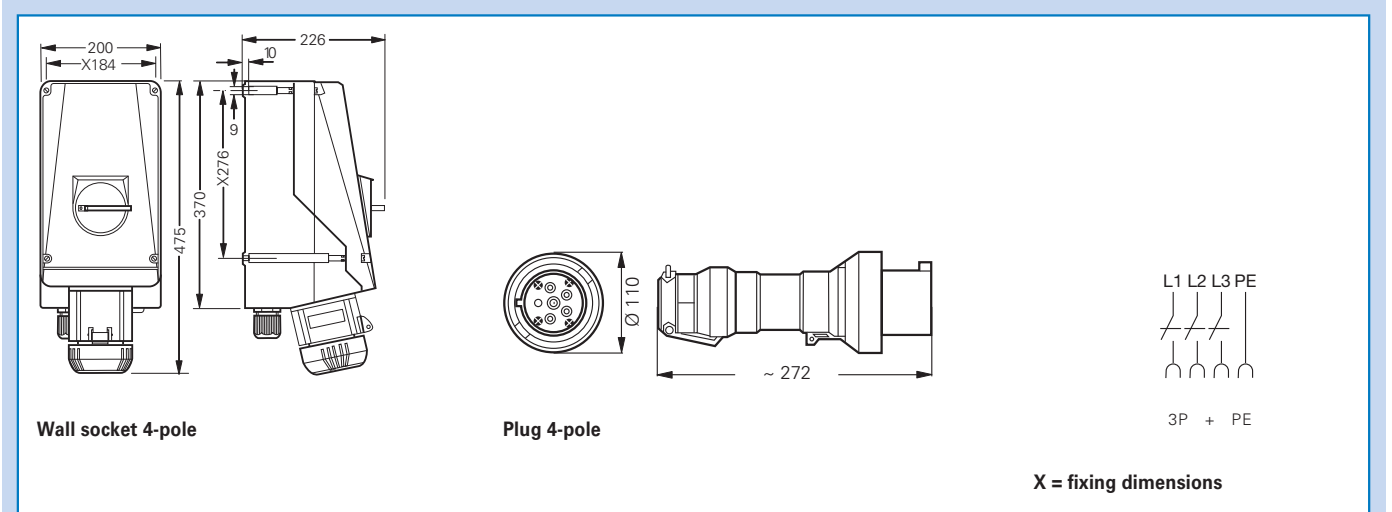
Ordering details

| Voltage | h | Type | Aux. contact | Cable entry | Weight approx. | Order No. |
|-------------------------|--|-------------|--------------|-------------|----------------|---------------------------|
| Type 60 A 4-pole | | | | | | |
| 3Ø 600 V |  | Wall socket | – | ME40 | 8.2 kg | GHG 514 4405 L3001 |
| | | Plug | – | | 0.75 kg | GHG 514 7405 L0001 |
| 3Ø 480 V | 5 h  | Wall socket | – | ME40 | 8.2 kg | GHG 514 4407 L3001 |
| | | Plug | – | | 0.75 kg | GHG 514 7407 L0001 |
| 3Ø 250 V | 7 h  | Wall socket | – | ME40 | 8.2 kg | GHG 514 4409 L3001 |
| | | Plug | – | | 0.75 kg | GHG 514 7409 L0001 |

Other voltage ranges and versions available on request

ME40 = 2 x metal thread M40, 1 x 1 1/4" Myers Hub adapter, 1 x M40 plastic Ex-screw plug

Dimension drawing | Wiring diagram



Dimensions in mm

100 A 4/5-pole up to 600 V IEC 309 Series 2 - CSA



Wall socket



Plug

Technical data

Ex-plugs and receptacles acc. to IEC 60309-Series 2 100 A

| | |
|--|---|
| Certificate of Compliance | CSA 2089057 |
| Marking accd. to NEC 500 | Class I Div 2 Group A, B, C and D, Class II Div. 1 Group E, F, and G |
| Marking accd. to NEC 505/CEC 18 | Class I Zone 1 AEx ed IIC T6 / Ex ed IIC T6 |
| Permissible ambient temperature | -20°C up to +40°C |
| Rated voltage | 600 V) AC |
| Rated current | 100 A |
| Frequency | up to 400 Hz |
| Rated switching capacity | 600 V 100 A |
| External back-up fuse, max. | without therm. protection: 100 A with therm. protection: 160 A gL (rated current 100 A set to) |
| Protection class | I |
| Degree of protection accd. to EN 60529 | IP66 |

Plug

| | |
|----------------------|--|
| Cable entry | 1 x 1 1/2" NPT Myers Hub, 1 x M50 thread with screw plug |
| Connecting terminals | 2 x AWG 12 - 1 |
| Enclosure material | glass-fibre reinforced polyester |

Plug

| | |
|----------------------|----------------|
| Cable entry | Ø 31 - 55 mm |
| Connecting terminals | 1 x AWG 12 - 3 |
| Enclosure material | Polyamide |





Plug

Wall socket

1

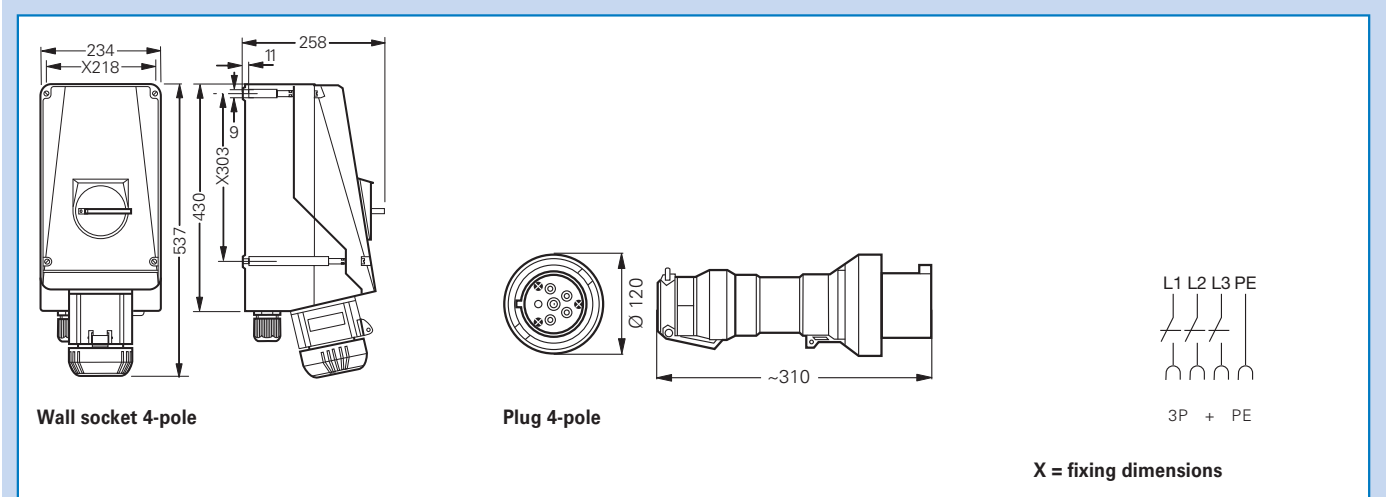
Ordering details

| Voltage | h | Type | Aux. contact | Cable entry | Weight approx. | Order No. |
|--------------------------|---|-------------|--------------|-------------|----------------|---------------------------|
| Type 100 A 4-pole | | | | | | |
| 3Ø 600 V | | Wall socket | - | ME50 | 8.2 kg | GHG 515 4405 L3001 |
| | | Plug | - | | 0.75 kg | GHG 515 7405 L0001 |
| 3Ø 480 V | | Wall socket | - | ME50 | 8.2 kg | GHG 515 4407 L3001 |
| | | Plug | - | | 0.75 kg | GHG 515 7407 L0001 |
| 3Ø 250 V | | Wall socket | - | ME50 | 8.2 kg | GHG 515 4409 L3001 |
| | | Plug | - | | 0.75 kg | GHG 515 7409 L0001 |

Other voltage ranges and versions available on request

ME50 = 2 x metal thread M50, 1 x 1 1/2" Meyer Hub adapter, 1 x M50 plastic Ex-screw plug

Dimension drawing | Wiring diagram



Dimensions in mm