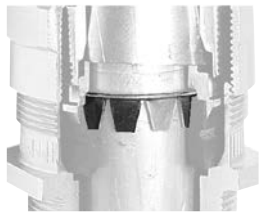


Accessories for Ex-cable glands ADE



Lead sheath washer



Strain clamp



PVC-Shroud

3

Accessories for cable glands type ADE

| Type ADE | Ø D/mm | OU | Order No. |
|--|--------|----|--------------------|
| Ordering details shrouds for cable glands | | | |
| 4 | 16 | 10 | CAP 506 040 |
| 5 | 20 | 10 | CAP 506 050 |
| 6 | 25 | 10 | CAP 506 060 |
| 7 | 31 | 10 | CAP 506 070 |
| 8 | 43 | 10 | CAP 506 080 |
| 9 | 52 | 10 | CAP 506 090 |
| 10 | 59 | 10 | CAP 506 100 |
| 11 | 67 | 10 | CAP 506 110 |
| 12 | 75 | 10 | CAP 506 120 |
| 13 | 90 | 10 | CAP 506 130 |
| 14 | 100 | 10 | CAP 506 140 |
| 15 | 116 | 10 | CAP 506 150 |
| 16 | 127 | 10 | CAP 506 160 |

| Type ADE | for cable Ø mm | for A/F | B mm | C mm | Weight approx. kg | OU | Order No. |
|--|----------------|---------|------|------|-------------------|----|--------------------|
| Ordering details for strain clamp | | | | | | | |
| 4 | 4 – 8.5 | 17 | 20 | 5 | 0.0085 | 1 | CAP 810 444 |
| 5 | 6 – 12 | 19 | 22 | 5 | 0.007 | 1 | CAP 810 534 |
| 6 | 8.5 – 16 | 24 | 27.5 | 6 | 0.015 | 1 | CAP 810 634 |
| 7 | 12 – 21 | 30 | 33.5 | 8 | 0.028 | 1 | CAP 810 734 |
| 8 | 16 – 27.5 | 41 | 45 | 8 | 0.044 | 1 | CAP 810 834 |
| 9 | 21 – 34 | 48 | 52 | 9.5 | 0.061 | 1 | CAP 810 934 |
| 10 | 27 – 41 | 55 | 59 | 9.5 | 0.069 | 1 | CAP 811 034 |
| 11 | 33 – 48 | 64 | 69 | 12 | 0.13 | 1 | CAP 811 134 |
| 12 | 40 – 56 | 72 | 78 | 12 | 0.16 | 1 | CAP 811 234 |
| 13 | 47 – 65 | 85 | 92 | 16 | 0.37 | 1 | CAP 811 334 |
| 14 | 54 – 74 | 95 | 103 | 16 | 0.42 | 1 | CAP 811 434 |
| 15 | 63 – 83 | 110 | 118 | 18 | 0.64 | 1 | CAP 811 534 |
| 16 | 72 – 93 | 120 | 128 | 18 | 0.68 | 1 | CAP 811 634 |

| Type ADE | for outer lead sheath Ø mm | A mm | H mm | Weight/g | OU | Order No. |
|---|----------------------------|------|------|----------|----|--------------------|
| Ordering details lead sheath washer for use with lead cables in combination with ADE 4F glands | | | | | | |
| 5 | 4.5 – 7.5 | 10 | 3.2 | 0.25 | 10 | CAP 560 530 |
| 6 | 7 – 11 | 13.9 | 4 | 0.3 | 10 | CAP 560 630 |
| 7 | 10 – 15 | 18.3 | 4.8 | 0.6 | 10 | CAP 560 730 |
| 8 | 13.5 – 20 | 23.8 | 5.7 | 0.9 | 10 | CAP 560 830 |
| 9 | 18 – 26.5 | 31 | 7.2 | 1.5 | 10 | CAP 560 930 |
| 10 | 23 – 32.5 | 38.3 | 8.2 | 2.8 | 10 | CAP 561 030 |
| 11 | 29 – 39.5 | 45.3 | 8.8 | 3.8 | 10 | CAP 561 130 |
| 12 | 35 – 46.5 | 52.8 | 9.5 | 5.8 | 10 | CAP 561 230 |
| 13 | 42 – 54.5 | 60.8 | 10.1 | 7.3 | 10 | CAP 561 330 |
| 14 | 50 – 61 | 71 | 11.4 | 11 | 10 | CAP 561 430 |
| 15 | 58 – 72.5 | 80.5 | 12.6 | 14.5 | 10 | CAP 561 530 |
| 16 | 66 – 81.5 | 89.5 | 12.6 | 14.5 | 10 | CAP 561 630 |

Cable glands with PG-thread are available on request.

The order No. will show 1 pcs.

Please note that only order units (OU) can be ordered.



Lock nut



Earth tag

Accessories for cable glands type ADE

| Thread | Dimensions A mm | B mm | ØC mm | ØD mm | E mm | Weight approx. kg | OU | Order No. |
|--|--------------------|------|-------|-------|------|----------------------|----|--------------------|
| Ordering details earth tag for glands | | | | | | | | |
| M12 x 1.5 ISO | 48.75 | 30 | 6.75 | 24.5 | 13 | 0.008 | 10 | CAP 567 024 |
| M16 x 1.5 ISO | 48.75 | 30 | 6.75 | 24.5 | 13 | 0.008 | 10 | CAP 567 034 |
| M20 x 1.5 ISO | 53.8 | 33 | 7 | 28.6 | 13 | 0.008 | 10 | CAP 567 054 |
| M25 x 1.5 ISO | 61.5 | 36 | 10.5 | 34 | 17 | 0.011 | 10 | CAP 567 074 |
| M32 x 1.5 ISO | 73 | 41 | 12.2 | 42 | 22 | 0.015 | 10 | CAP 567 094 |
| M40 x 1.5 ISO | 86.5 | 44.5 | 13.5 | 54 | 30 | 0.025 | 1 | CAP 567 124 |
| M50 x 1.5 ISO | 111.5 | 58 | 13.5 | 67 | 40 | 0.041 | 1 | CAP 567 154 |
| M63 x 1.5 ISO | 125.5 | 67 | 13.5 | 77 | 40 | 0.044 | 1 | CAP 567 184 |
| 3/8" NPT | 53.8 | 33 | 7 | 28.6 | 13 | 0.008 | 10 | CAP 567 044 |
| 1/2" NPT | 61.5 | 36 | 10.5 | 34 | 17 | 0.008 | 10 | CAP 567 064 |
| 3/4" NPT | 73 | 41 | 12.2 | 42 | 22 | 0.008 | 10 | CAP 567 084 |
| 1" NPT | 73 | 41 | 12.2 | 42 | 22 | 0.011 | 10 | CAP 567 104 |
| 1 1/4" NPT | 86.5 | 44.5 | 13.5 | 54 | 30 | 0.015 | 10 | CAP 567 134 |
| 1 1/2" NPT | 111.5 | 58 | 13.5 | 67 | 40 | 0.025 | 1 | CAP 567 154 |
| 2" NPT | 125.5 | 67 | 13.5 | 77 | 40 | 0.041 | 1 | CAP 567 174 |
| 2 1/2" NPT | 137.5 | 73 | 13.5 | 89 | 40 | 0.044 | 1 | CAP 567 194 |

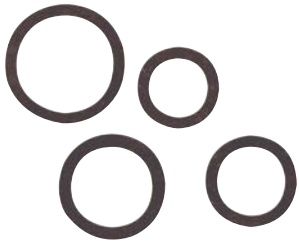
| Thread ISO/NPT | A/F mm | L mm | OU | Order No. |
|---|-----------|---------|----|--------------------|
| Ordering details lock nut CuZn gal. Ni | | | | |
| M12 x 1.5 ISO | 14 | 2.8 | 10 | CAP 221 294 |
| M16 x 1.5 ISO | 18 | 2.8 | 10 | CAP 221 694 |
| M20 x 1.5 ISO | 23 | 3.0 | 10 | CAP 222 094 |
| M25 x 1.5 ISO | 28 | 3.0 | 10 | CAP 222 594 |
| M32 x 1.5 ISO | 36 | 3.5 | 10 | CAP 223 294 |
| M40 x 1.5 ISO | 44 | 4.0 | 10 | CAP 224 094 |
| M50 x 1.5 ISO | 54 | 5.0 | 10 | CAP 225 094 |
| M63 x 1.5 ISO | 70 | 6.0 | 10 | CAP 226 394 |
| 1/4" NPT | 16 | 2.8 | 10 | CAP 280 104 |
| 3/8" NPT | 20 | 2.8 | 10 | CAP 280 114 |
| 1/2" NPT | 24 | 3.5 | 10 | CAP 280 124 |
| 3/4" NPT | 30 | 3.5 | 10 | CAP 280 134 |
| 1" NPT | 37 | 4.5 | 10 | CAP 280 144 |
| 1 1/4" NPT | 47 | 4.5 | 10 | CAP 280 154 |
| 1 1/2" NPT | 52 | 5.0 | 10 | CAP 280 164 |
| 2" NPT | 64 | 5.5 | 10 | CAP 280 174 |
| 2 1/2" NPT | 77 | 6.5 | 10 | CAP 280 184 |
| 3" NPT | 95 | 8.0 | 10 | CAP 280 194 |
| 3 1/2" NPT | 110 | 10.0 | 10 | CAP 280 204 |
| 4" NPT | 120 | 11.0 | 10 | CAP 280 214 |

Cable glands with PG-thread are available on request.

The order No. will show 1 pcs.

Please note that only order units (OU) can be ordered.

Accessories for Ex-cable glands ADE



Gasket

3

Accessories for cable glands type ADE

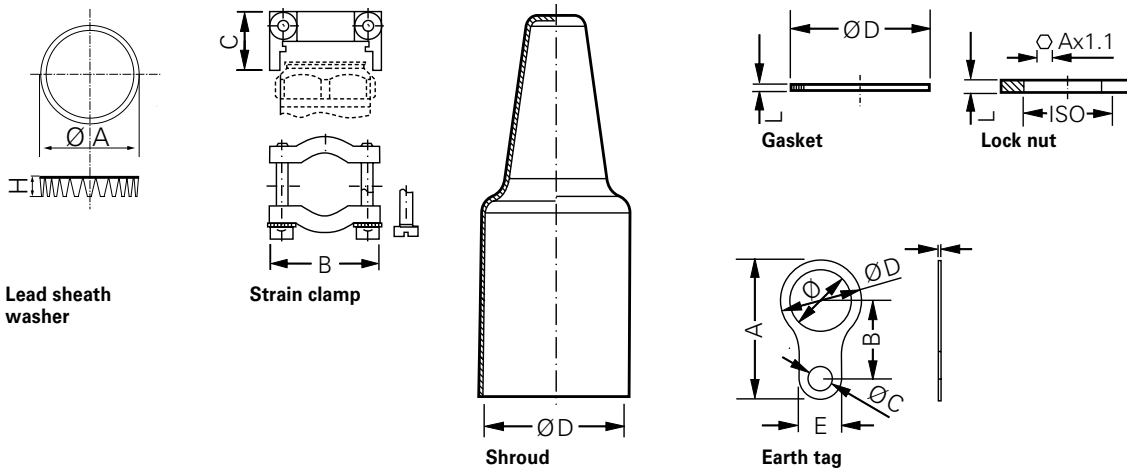
| Thread | Ø D mm | L mm | OU | Order No. fibrous material | Order No. neopren |
|---|-----------|---------|----|-------------------------------|----------------------|
| Ordering details gasket for glands | | | | | |
| M12 | 18 | 1.2 | 10 | CAP 221 245 | CAP 221 249 |
| M16 | 22 | 1.2 | 10 | CAP 221 645 | CAP 221 649 |
| M20 | 24 | 1.2 | 10 | CAP 222 045 | CAP 222 049 |
| M25 | 30 | 1.5 | 10 | CAP 222 545 | CAP 222 549 |
| M32 | 42 | 1.5 | 10 | CAP 223 245 | CAP 223 249 |
| M40 | 52 | 1.5 | 10 | CAP 224 045 | CAP 224 049 |
| M50 | 63 | 1.5 | 10 | CAP 225 045 | CAP 225 049 |
| M63 | 77 | 2.0 | 10 | CAP 226 345 | CAP 226 349 |
| 1/4" | 20 | 1.5 | 10 | CAP 239 014 | CAP 229 014 |
| 3/8" | 22 | 1.5 | 10 | CAP 239 038 | CAP 229 038 |
| 1/2" | 27 | 1.5 | 10 | CAP 239 012 | CAP 229 012 |
| 3/4" | 33 | 1.5 | 10 | CAP 239 034 | CAP 229 034 |
| 1" | 41 | 1.5 | 10 | CAP 239 010 | CAP 229 010 |
| 1 1/4" | 52 | 1.5 | 10 | CAP 239 114 | CAP 229 114 |
| 1 1/2" | 57 | 1.5 | 10 | CAP 239 112 | CAP 229 112 |
| 2" | 71 | 2.0 | 10 | CAP 239 020 | CAP 229 020 |
| 2 1/2" | 85 | 2.0 | 10 | CAP 239 212 | CAP 229 212 |
| 3" | 104 | 2.0 | 10 | CAP 238 049 | CAP 229 300 |
| 3 1/2" | 120 | 2.0 | 10 | CAP 239 312 | CAP 229 312 |

Cable glands with PG-thread are available on request.

The order No. will show 1 pcs.

Please note that only order units (OU) can be ordered.

Dimension drawing



Dimensions in mm