



GHG 610 1953 R0105



GHG 610 1953 R0106



GHG 610 1953 R0102



GHG 610 1953 R0103

Mounting plates

Type	Application	Order No.
Size 1	Wall mounting	GHG 610 1953 R0101
Size 1	Trellis mounting	GHG 610 1953 R0103
Size 1	Pipe clamp	GHG 610 1953 R0102
Size 2	Wall mounting	GHG 610 1953 R0104
Size 2	Trellis mounting	GHG 610 1953 R0106
Size 2	Pipe clamp	GHG 610 1953 R0105
Size 2A	Wall mounting	GHG 610 1953 R0107
Size 2A	Trellis mounting	GHG 610 1953 R0109
Size 2A	Pipe clamp	GHG 610 1953 R0108
Size 3	Wall mounting	GHG 610 1953 R0118
Size 3	Trellis mounting	GHG 610 1953 R0118
Size 3	Pipe clamp	GHG 610 1953 R0110
Size 4	Wall mounting	GHG 610 1953 R0126
Size 4	Trellis mounting	GHG 610 1953 R0126
Size 4	Pipe clamp	GHG 610 1953 R0130
Size 5	Wall mounting	GHG 610 1953 R0128
Size 5	Trellis mounting	GHG 610 1953 R0128
Size 5	Pipe clamp	GHG 610 1953 R0132

Mounting plates and accessories



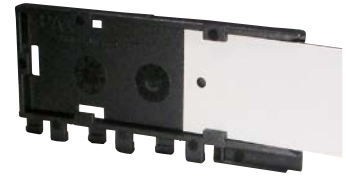
Protective canopy



Plug in fastener



Blind plug



Label holder with label

Accessories

Type	OU	Order No.
for mounting plate		
Label holder with type label (blank) for mounting plate size 1, 2, 2A and 3	10	GHG 610 1953 R0057
Type label for label holder and mounting plates size 4 and size 5	10	GHG 610 1953 R0011
Blind plug for unused fixing points of mounting plates size 4 and size 5	10	GHG 610 1953 R0134
Plug-in fastener for CEAG modules with 5.5 mm and 11 mm fixing elements 1 set = 4 pcs.	10	GHG 610 1953 R0041
Mounting set for pipes 1" (Ø 27 - 30 mm) for mounting plates with pipe fixing	10	GHG 610 1953 R0020

The order No. will show 1 pcs.

Please pay attention that only order units (OU) according to the ordering details can be delivered.

Type	Application	Order No.
Protective canopy for mounting plate		
Size 1	for mounting plate size 1	GHG 610 1955 R0101
Size 2	for mounting plate size 2	GHG 610 1955 R0102
Size 2A	for mounting plate size 2A	GHG 610 1955 R0103
Size 3	for mounting plates pipe fixing size 3 vertical	GHG 610 1955 R0104
Size 3A	for mounting plates wall/trellis fixing size 3 vertical	GHG 610 1955 R0105
Size 3B	for mounting plates pipe fixing size 3 horizontal	GHG 610 1955 R0106
Size 4	for mounting plate size 4	GHG 610 1955 R0107
Size 5	for mounting plate size 5	GHG 610 1955 R0108



GHG 610 1953 R0105



GHG 610 1953 R0106

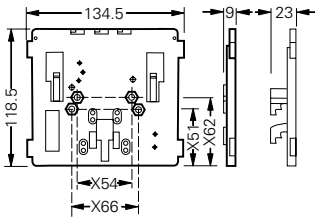


GHG 610 1953 R0102

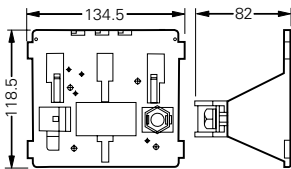


GHG 610 1953 R0103

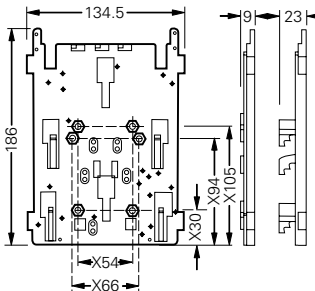
Dimension drawing



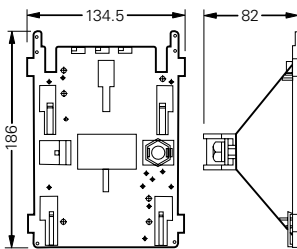
Size 1 for wall/trellis mounting



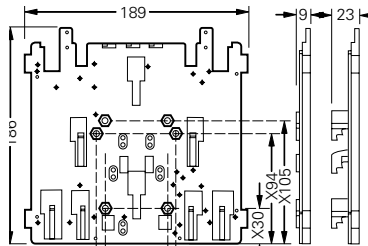
Size 1 for pipe mounting



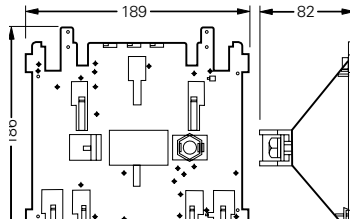
Size 2 for wall/trellis mounting



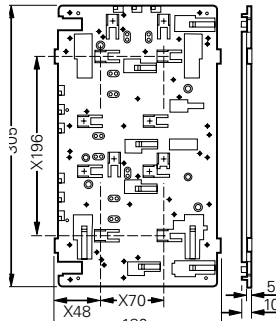
Size 2 for wall/trellis mounting



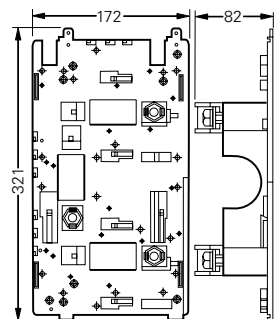
Size 2A for wall/trellis mounting



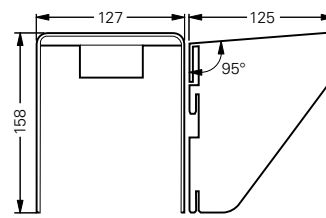
Size 2A for pipe mounting



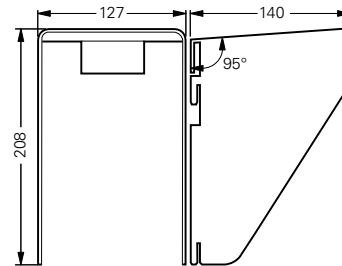
Size 3 for wall/trellis mounting



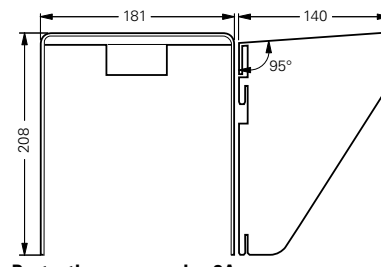
Size 3 for pipe mounting



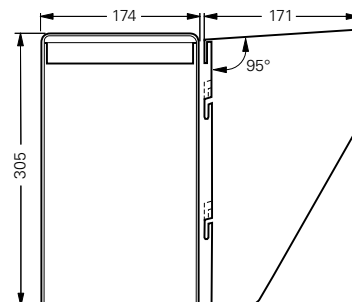
Protective canopy size 1



Protective canopy size 2



Protective canopy size 2A



Protective canopy size 3B

Mounting plates and accessories

2



GHG 610 1953 R0105



GHG 610 1953 R0106

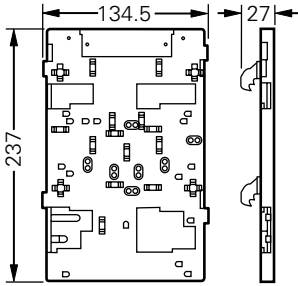


GHG 610 1953 R0108

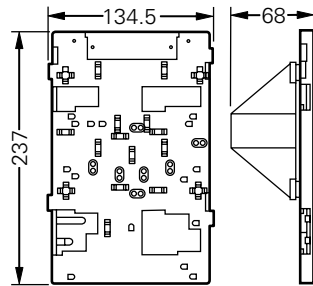


Protective canopy

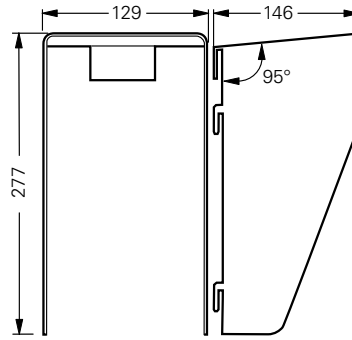
Dimension drawing



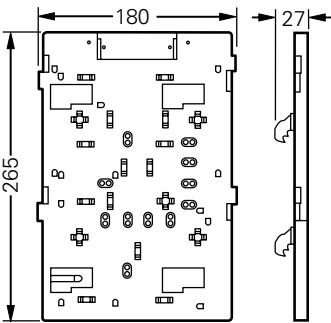
Mounting plate size 4
for wall/trellis mounting



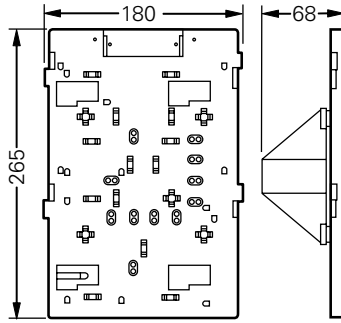
Mounting plate size 4
for pipe mounting



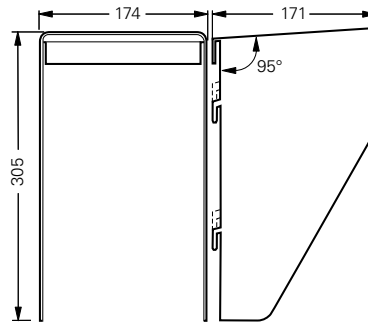
Protective canopy size 4



Mounting plate size 5
for wall/trellis mounting



Mounting plate size 5
for pipe mounting



Protective canopy size 5

Dimensions in mm