

## Ex-repair- and maintenance receptacles: 16 A 3-pole and 5-pole up to 415 V



non-interlocked



non-interlocked



interlocked

1

### Technical data

#### Ex-receptacles accd. to IEC 60309-1/2

Marking accd. to 2014/34/EU	⊕ II 2 G Ex ed IIC T6 / ⊕ II 2 D Ex tD A21 IP66 T80 °C/T95 °C
EC-Type Examination Certificate	PTB 00 ATEX 1032 X
Permissible ambient temperature	-20 °C to +40 °C <sup>1)</sup>
Rated voltage	up to 440 V (AC)
Rated current	16 A (AC)
Frequency	50/60 Hz
Rated making / Rated breaking capacity AC-3 accd. EN 60947-3	U <sub>e</sub> 415 V / I <sub>e</sub> 16 A
External back-up fuse, max.	without therm. protection: 16 A with therm. protection: 35 A gG (rated current 16 A set to)
Protection class	I
Degree of protection accd. to EN 60529	IP66
Cable entry	1 x M25 cable gland, 1 x M25 plastic Ex-screw plug or 2 x metal thread M20 with plastic Ex-screw plug
Connecting terminals	2 x 1.0 - 4 mm <sup>2</sup>
Enclosure material	glass-fibre reinforced polyester

<sup>1)</sup> extended temperature range on request

Details for used cable glands see pages 2.3.ff

## Ex-repair- and maintenance receptacles: 16 A 3-pole and 5-pole up to 415 V



interlocked



non-interlocked



non-interlocked

### Ordering details

Voltage	h	Type	Cable entry	Weight approx.	Order No.	
<b>Type CEE 16 A 3-pole, interlocked</b>						
200-250 V		Wall socket	KU	1.1 kg	<b>GHG 511 4306 R0901</b>	
		Wall socket	ME	1.2 kg	<b>GHG 511 4306 R3901</b>	
		Wall socket	GM	1.2 kg	<b>GHG 511 4306 R3902</b>	
		Plug			<b>GHG 511 7306 R0001</b>	
<b>Type CEE 16 A 3-pole, non-interlocked</b>						
200-250 V		Wall socket	KU	1.2 kg	<b>GHG 511 4306 R0903</b>	
		Wall socket	ME	1.3 kg	<b>GHG 511 4306 R3905</b>	
		Wall socket	GM	1.3 kg	<b>GHG 511 4306 R3906</b>	
		Plug			<b>GHG 511 7306 R0001</b>	
<b>Type 16 A 2-pole, non-interlocked „PE-contact“</b>						
230 V		Wall socket <sup>1)</sup>	KU	1.2 kg	<b>GHG 511 4306 R0902</b>	
		Wall socket <sup>1)</sup>	ME	1.3 kg	<b>GHG 511 4306 R3903</b>	
		Wall socket <sup>1)</sup>	GM	1.3 kg	<b>GHG 511 4306 R3904</b>	
		Schutzkontakt <sup>1)</sup>				
<b>Type CEE 16 A 5-pole, interlocked</b>						
380-415 V		Wall socket	–	KU	1.6 kg	<b>GHG 511 4506 R0901</b>
		Wall socket	–	ME	1.7 kg	<b>GHG 511 4506 R3901</b>
		Wall socket	yes	KH	1.6 kg	<b>GHG 511 4506 R0903</b>
		Plug				<b>GHG 511 7506 R0001</b>
<b>Type CEE 16 A 5-pole, non-interlocked</b>						
380-415 V		Wall socket	–	KU	1.8 kg	<b>GHG 511 4506 R0902</b>
		Wall socket	–	ME	1.9 kg	<b>GHG 511 4506 R3902</b>
		Wall socket	yes	KH	1.8 kg	<b>GHG 511 4506 R0904</b>
		Plug				<b>GHG 511 7506 R0001</b>

Other voltage ranges and versions available on request

GM = 2 x metal thread M20 without cable gland/thread plug with protective earth

KU = 1 x plastic cable glands M25, 1 x M25 plastic Ex-screw plug

ME = 2 x metal thread M20 with plastic Ex-screw plug

KH = 2 x plastic cable glands M25 cable gland, with aux. contact, 1 x NO

<sup>1)</sup> Not compatible with GHG 511 7306 R0001

**Ex-repair- and maintenance receptacles: 16 A 3-pole and 5-pole up to 415 V**



**non-interlocked**

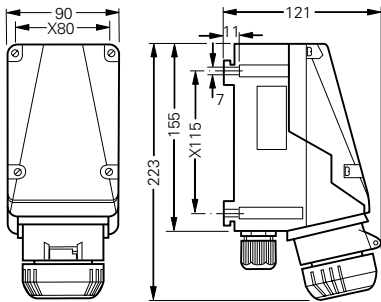


**non-interlocked**

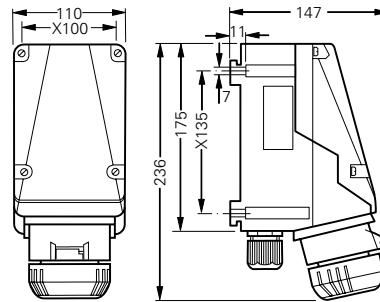


**interlocked**

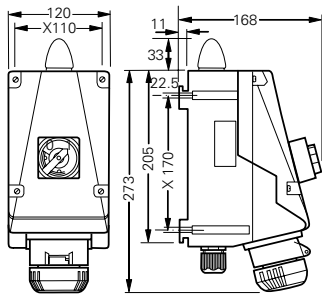
**Dimension drawing | Wiring diagram**



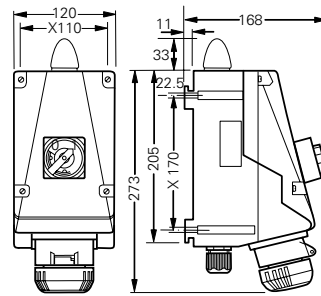
**Wall socket interlocked 3-pole**



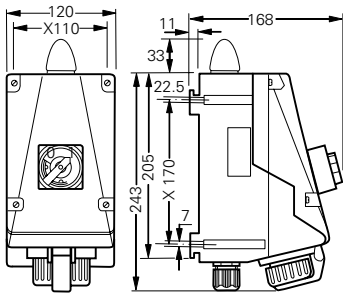
**Wall socket interlocked 5-pole**



**Wall socket non-interlocked 3-pole**



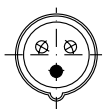
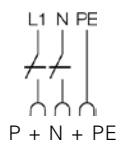
**Wall socket non-interlocked 5-pole**



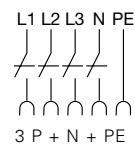
**Wall socket non-interlocked with earthing contact 3-pole**

**X = fixing dimensions**

with earthing contact

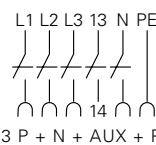


without aux. contact



3 P + N + PE

with aux. contact



3 P + N + AUX + PE

