

CEAG Produkte
Explosion protected portable light fittings

CROUSE-HINDS
SERIES



LEL Portable - Your Power Light Source for Hazardous Areas
Explosion-protected non-stationary LED floodlight for Zone 1, 2, 21 and 22



EATON

Powering Business Worldwide

Ex-Floodlight LEL Portable

(Ex-Zone 1, 2, 21 und 22)

Lighting under harsh conditions

The new floodlight LEL Portable in LED technique is especially suited for the specific lighting of machines, production areas or facilities indoor and outdoor with potentially explosive areas under harsh and hazardous conditions like vibrations, dust, moisture or corrosive atmospheres and extreme temperatures.

Replacement of conventional light fittings up to 150 W

With a luminous flux of the light fittings of 5,000 lm this floodlight can be used to replace comparable conventional light sources with an equivalent power consumption up to 150 W.

High efficient LED technology

High efficient power LED module and more than 112 Lumen/Watt enables up to 70 % energy-cost savings compared to conventional HID lamp.

Flexible application

With its light weight and the ergonomic designed floor stand this floodlight can be easily carried and used, wherever it is needed. The individual light direction is realised by the swivel bracket. The flexible mains cord with its 3-pole plug in included and can be easily stored by a take-up device.

Best lighting technology for various applications

As an important part of the Eaton Portable Ex-Solutions the LEL Portable can ideally be used for the lighting of maintenance and repair works in hazardous areas Zone 1, 2, 21 and 22. Furthermore this floodlight can be used for the illumination of accident sites and dangerous spots, where an explosive atmosphere must be expected.



Features

- Explosion protected; approved for Zone 1, 2, 21 and 22
- High-efficient LED module with more than 112 Lumen/Watt
- Wide temperature range from -40 °C up to +45 °C
- Compact and light weight design for flexible applications
- Flexible mains cord with 3-pole Ex-plug
- High efficient heatsink design for an optimised temperature management
- High degree of protection IP66 for harsh environments

Ordering details, Technical data, Polar curve, Dimension drawing

LEL Portable for Ex-Zone 1, 2, 21 and 22

Ordering details

Type	Lamp / Illuminant	Description ¹⁾	Mains cord, Cable gland; plug	Order-No.
LEL Portable 5L				
LEL Portable 5L	LED system 50 W ¹⁾	LED floodlight with floor stand and mains-cord with plug ¹⁾	Rubber sheathed cable, 5 m, 3 x 1,5 mm ² , Trumpet shaped cable gland, Ex-plug 3 x 1,5 mm ² 6h ¹⁾	NOR 000 007 000 001



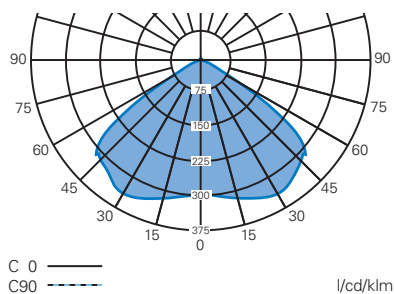
¹⁾ Lieferumfang mit LED-System, Standbügel und Netzanschlusskabel mit Stecker

Technical data

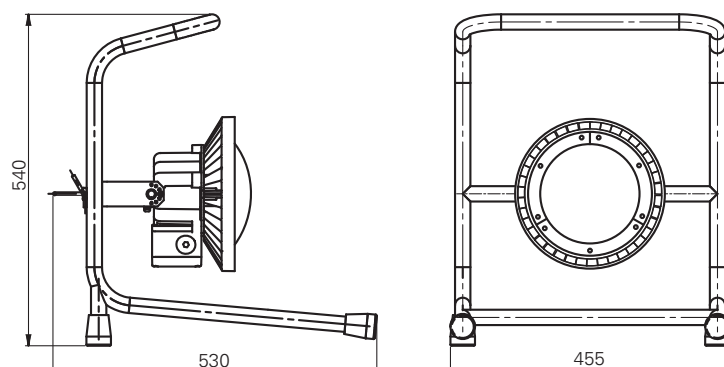
LEL Portable 5L	
Type Examination Certificate	EPT 16ATEX 2405
IECEX Certificate of conformity	IECEX CQM 15.0054X
Marking accd. 2014/34/EU	⊕ II 2 G Ex db e mb op is IIC T6 Gb ⊕ II 2 D Ex tb IIIC T80 °C Db IP 66
Marking accd. IECEx	Ex db e mb op is IIC T6 Gb Ex tb IIIC T80 °C Db IP 66
Permissible ambient temperature	-40 °C up to +45 °C
LFixture lifetime	60.000 h at t _a = +55 °C / 120.000 h at t _a = +25 °C
Rated voltage	100 - 240 V AC / 108 - 250 V DC
Frequency	0/50 - 60 Hz
Power factor cos φ	≥ 0.9
Circuit	elektronic driver
Protection class	I
Lamp / illuminant	LED system 50 W
Rated luminous flux	5,000 lm
Lichtfarbe / CRI	5700 K / R _a >70
Dimensions (L x W x H)	530 x 455 x 540 mm
Enclosure colour	grey
Enclosure material	Light alloy, powder coated
Weight	5 kg
Degree of protection accd. to EN 60529	IP66
Protective cover / protective bowl	Toughened glass
Floor stand	Stainless steel

Dimension drawing / Polar curve

Polar curve LEL Portable 5L



Dimension drawing LEL Portable 5L





Eaton's Crouse-Hinds Business

The safety you rely on.

See the complete offering of Hazardous and Industrial Products at www.crouse-hinds.de.

**U.S. (Global Headquarters):
Eaton's Crouse-Hinds
Business**

1201 Wolf Street
Syracuse, NY 13208

(866) 764-5454
FAX: (315) 477-5179
FAX Orders Only:
(866) 653-0640

CrouseCustomerCTR@Eaton.com

For more information:

If further assistance is required, please contact an authorized Eaton Distributor, Sales Office, or Customer Service Department.

Australia

Phone +61-2-8787-2777
Fax +61-2-9609-2342
crousehindsanz@eaton.com

China

Phone +86-21-2899-3600
Fax +86-21-2899-4055
ECHsales@eaton.com

Great Britain

Phone +44-247-630-89 30
Fax +44-247-630-10 27
sales5@eaton.com

India

Phone +91-124-4683888
Fax +91-124-4683899
cchindia@eaton.com

Canada

Toll Free +1-800-265-0502
Fax +1-800-263-9504
Fax orders only:
+1-866-653-0645

Korea

Phone +82-2-3484-6783
Fax +82-2-3484-6778
CCHK-sales@cooperindustries.com

**Mexico/Latin America/
Caribbean**

Phone +52-555-804-4000
Fax +52-555-804-4020
mxmercadotecnia@cooperindustries.com

Spain

Phone +34-9-37362710
Fax +34-9-37835055
sales.CCH.es@cooperindustries.com

Middle East (Dubai)

Phone +971-4-427-2522 / 2500
Fax +971-4-429-8521
CHMEsales@Eaton.com

The Netherlands

Phone +31-10-2452145
Fax +31-10-2452121
CHRD_mail@Eaton.com

Norway

Phone +47-32-244600
Fax +47-32-244646
CHLloffice@eaton.com

Singapore:

Phone +65-6645-9888
Fax +65-6297-4819
CHSI-Sales@Eaton.com

Turkey

Phone +90-216-464-20-20
Fax +90-216-464-20-10
infoEGTurkey@eaton.com

Russia

Phone +7-495 510-24-27
Fax +7-495 510-24-28
info@cooper.ru.com
www.cooper-russia.ru

Eaton's Crouse-Hinds Business

Neuer Weg – Nord 49
D-69412 Eberbach

Phone +49 (0) 6271/806-500
Fax +49 (0) 6271/806-476
E-mail info-ex@eaton.com
Internet www.crouse-hinds.de

Eaton

1000 Eaton Boulevard
Cleveland, OH 44122
United States
Eaton.com

© 2016 Eaton Corporation
All Rights Reserved
Printed in Germany
Publication No. BR 300 8000
September 2016

Changes to the products, to the information contained in this document, and to prices are reserved; so are errors and omissions. Only order confirmations and technical documentation by Eaton is binding. Photos and pictures also do not warrant a specific layout or functionality. Their use in whatever form is subject to prior approval by Eaton. The same applies to Trademarks (especially Eaton, Moeller, and Cutler-Hammer). The Terms and Conditions of Eaton apply, as referenced on Eaton Internet pages and Eaton order confirmations.

Eaton's Crouse-Hinds Business

1201 Wolf Street
Syracuse, NY 13208
(866) 764-5454
CrouseCustomerCTR@Eaton.com

Eaton is a registered trademark.

All other trademarks are property of their respective owners.



Powering Business Worldwide