

Power distribution

CROUSE-HINDS
SERIES

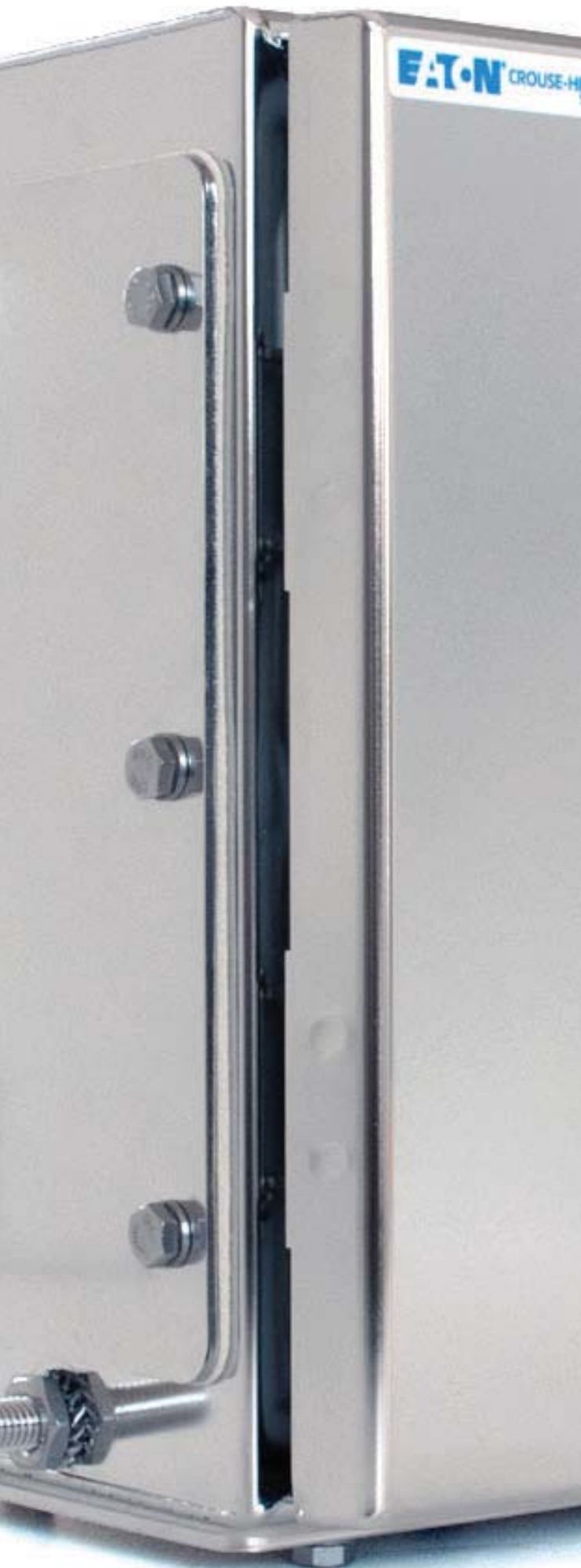
Stainless steel enclosures

High performance, high reliability enclosures
for global applications



EATON

Powering Business Worldwide



Stainless steel enclosures

The ultimate in corrosion resistance and durability

Superior resistance to corrosion and heat, combined with unmatched strength, make stainless steel enclosures for global applications a long-term solution for even the most extreme environments.

Eaton's Crouse-Hinds series stainless steel enclosures are manufactured using high grade 316 stainless steel. Even in the most caustic environments, they are virtually immune to rust, corrosion and discoloration, greatly lowering cost of ownership through maintenance reduction.

This long life, low maintenance solution is ideal for:

- Corrosive environments
- Offshore and marine applications
- Above ground mining applications
- Food and beverage manufacturing
- Pharmaceutical manufacturing
- Healthcare facilities
- Wastewater treatment plants

Crouse-Hinds series selection guide

Find out which stainless steel enclosure is right for you



Quick selection guide



Features	N-TB	Ex-Cell	S-TB
Premium series with set sizes and features	✓		
Largest size range with flexible options		✓	
Small terminal junction box with simple design			✓
Integrated drainage channel	✓	✓	
Hinged & bolted removable cover	✓		
Hinged cover w/ quarter turn locks, bolted, or clamps		✓	
Fully bolted cover		✓	✓

Ex-Cell stainless steel and painted steel enclosures

High performance, high reliability enclosures for global applications

Cl. I, Div. 2, Groups A, B, C, D[Ⓐ]
Cl. I, Zone 1
Type 3S, 4, 4X
IP66

IECEX/ATEX
TR-CU/EAC

Applications:

- Manufactured to meet the most demanding industrial and hazardous area environmental applications
- A globally certified enclosure and termination solution for Type 3S, 4 (painted mild steel[Ⓑ] and stainless steel), and 4X (stainless steel) applications
- Certified to the impact, thermal and IP66 ingress requirements of Ex standards

Features:

- Available in a comprehensive range of sizes, each with various configurations for a multitude of applications
- Offers unique design features, precision manufacturing and the highest quality materials, making it the premier choice for instrumentation and electrical applications across the globe
- Over 100 standard sizes in both stainless steel and painted steel[Ⓒ]
- Single door enclosures up to 63" x 48" x 16" (1600 x 1200 x 400mm)
- Flush mount enclosures
- Eagle enclosures with a sloped water shedding design

Certifications and compliances:

- Class I, Division 2, Groups A, B, C, D[Ⓐ]; Class I, Zone 1
- cULus to UL50/C22.2 No. 94-M91
- UL Listed E115376 (Ordinary Location)
- Type 3S, 4 – painted mild steel[Ⓒ]; Type 4X/IP66 – stainless steel
- ATEX and IECEx component certificates (BAS 15ATEX0099U and IECEx BAS15.0071U)
- 2G Ex eb IIC Gb or 2D Ex tb IIIC Db
- TR-CU and EAC certified

Standard materials and finishes:

- 1.2 mm thick enclosure – 316L (1.4404 to EN10088) stainless steel (standard); 304 (1.4301 to EN10088) stainless steel (optional)
- Enclosure finish – superior corrosion-resistant chromium enriched electro-polished surface
- Gasket – foam-in-place silicone on lid (standard); cut silicone (optional)
- Keyed lock fastening mechanism – stainless steel
- Door hinges – stainless steel
- Enclosure mounting – four external 3mm stainless steel welded lugs, 11mm Ø holes/slots
- Equipment mounting – four (up to 10 depending on size) stand-off pillars 9mm Ø, 15mm high, tapped M6 x 10, for rail/mounting plate
- Enclosure earth – M10 external and internal stainless steel earth stud assembly
- Mounting plate – 2mm sheet steel with zintec finish (available in stainless steel)
- Gland plates – rounded corners to eliminate sharp points; 3mm thickness (standard); 6mm thickness (optional)

Technical specifications:

- Empty enclosure:
 - Standard service temperature: -55°C to +120°C
 - Extended service temperature: -60°C to +135°C (with suffix 'E')
- Impact resistance: 7 J (Nm)

[Ⓐ]When terminal blocks or approved Class I, Division 2 devices are installed within the enclosure in accordance with NEC/CEC requirements. These enclosures are NOT explosionproof and will NOT contain an explosion. Installation of arcing and sparking devices which are not Class I, Division 2 rated or higher is NOT PERMITTED.

[Ⓑ]Painted mild steel not available with ATEX or IECEx.

[Ⓒ]Temperature range depends on ratings of built-in components.

* Painted versions only available on demand.



Ex-Cell-T / XL-T terminal boxes:

Ex-Cell enclosures are available assembled as custom configured and certified terminal boxes. Options include custom entries, cable glands and plugs with built-in terminals (Ex-e and Ex-i) and other equipment. Contact factory for ordering details.

Standards:

- IEC/EN/UL/CAN 60079-0
- IEC/EN/UL/CAN 60079-7
- IEC/EN 60079-31
- IEC/EN 60529

Certificates:

- BVS16 ATEX-E-115X
- IECEx BVS 16.0080X
- UL Listed E108296 (Hazardous Location)
- RU_C-DE.AA87.B.00885

Ambient temperatures[Ⓓ]:

- -55°C to +40°C (with temperature class T6 and maximum surface temperature of T80°C)
- -55°C to +55°C (with temperature class T5 and maximum surface temperature of T95°C)
- -55°C to +55/80/100/110°C (with temperature class T4 and surface temperature of T135°C)
- -60°C to +80/100/110°C (with temperature class T4 and surface temperature of T135°C) – requires suffix 'E' extended temperature version)

Materials:

- 316L electro-polished stainless steel (standard); 304 stainless steel (optional)

Electrical ratings:

- Rated voltage up to 690V AC/DC; rated current up to 400A; terminal cross-sections up to 240mm²

Markings:

- ATEX and IECEx: Ex eb IIC T6/5/4 Gb;
Ex tb IIIC T80/95/130°C Db or Ex tb IIIC T80/95/130°C
- NEC 500 and NEC 505: Class I, Division 2, Groups A, B, C, D and Class I, Zone 1, AEx e IIC T6/5/4
- EAC CU TR: 1Ex e IIC T6/T5 Gb X or Ex tb IIIC T80/95/130°C Db X

Ex-Cell stainless steel and painted steel enclosures

High performance, high reliability enclosures for global applications

Cl. I, Div. 2, Groups A, B, C, D
Cl. I, Zone 1
Type 3S, 4, 4X
IP66

IECEX/ATEX
TR-CU/EAC

Mounting options

- Enclosure is mounted using four heavy duty, 3mm thick, surface welded stainless steel lugs
- One set of lugs are slotted for ease of mounting, providing a secure, reliable means of mounting the enclosure
- Available in vertical or horizontal configuration.

Glanding options

- Available with up to 4 gland plates (3mm thick) on each side
- Five possible combinations of 0, 1, 2, 3 or 4 gland plates available
- Gland plates secured via riveted nutserts for improved sealing

One-piece gasket

- High integrity one-piece silicone sealing gasket provides an IP66 rating and excellent recovery and re-sealing properties for continuous environmental protection



Quarter turn lock

- Standard cover features a 1/4 turn keyed lock fastening mechanism that provides a rapid means of achieving an IP66 rated seal for reliable environmental protection
- Bolted cover and padlockable cover also available

Earth/ground stud assembly

- External and internal stainless steel earth/ground stud assembly enables rapid and reliable protective earth/ground connection
- Mounted on the side of the enclosure for ease of access

Integral drainage channel

- Integral drainage channel prevents liquids or other solid contaminants from running in or falling into the enclosure when the door is opened
- Minimizes gasket path contamination



Ⓢ When terminal blocks or approved Class I, Division 2 devices are installed within the enclosure in accordance with NEC/CEC requirements. These enclosures are NOT explosionproof and will NOT contain an explosion. Installation of arcing and sparking devices which are not Class I, Division 2 rated or higher is NOT PERMITTED.

Ex-Cell stainless steel and painted steel enclosures

High performance, high reliability enclosures for global applications

Cl. I, Div. 2, Groups A, B, C, D[Ⓔ]
Cl. I, Zone 1
Type 3S, 4, 4X
IP66

IECEx/ATEX
TR-CU/EAC

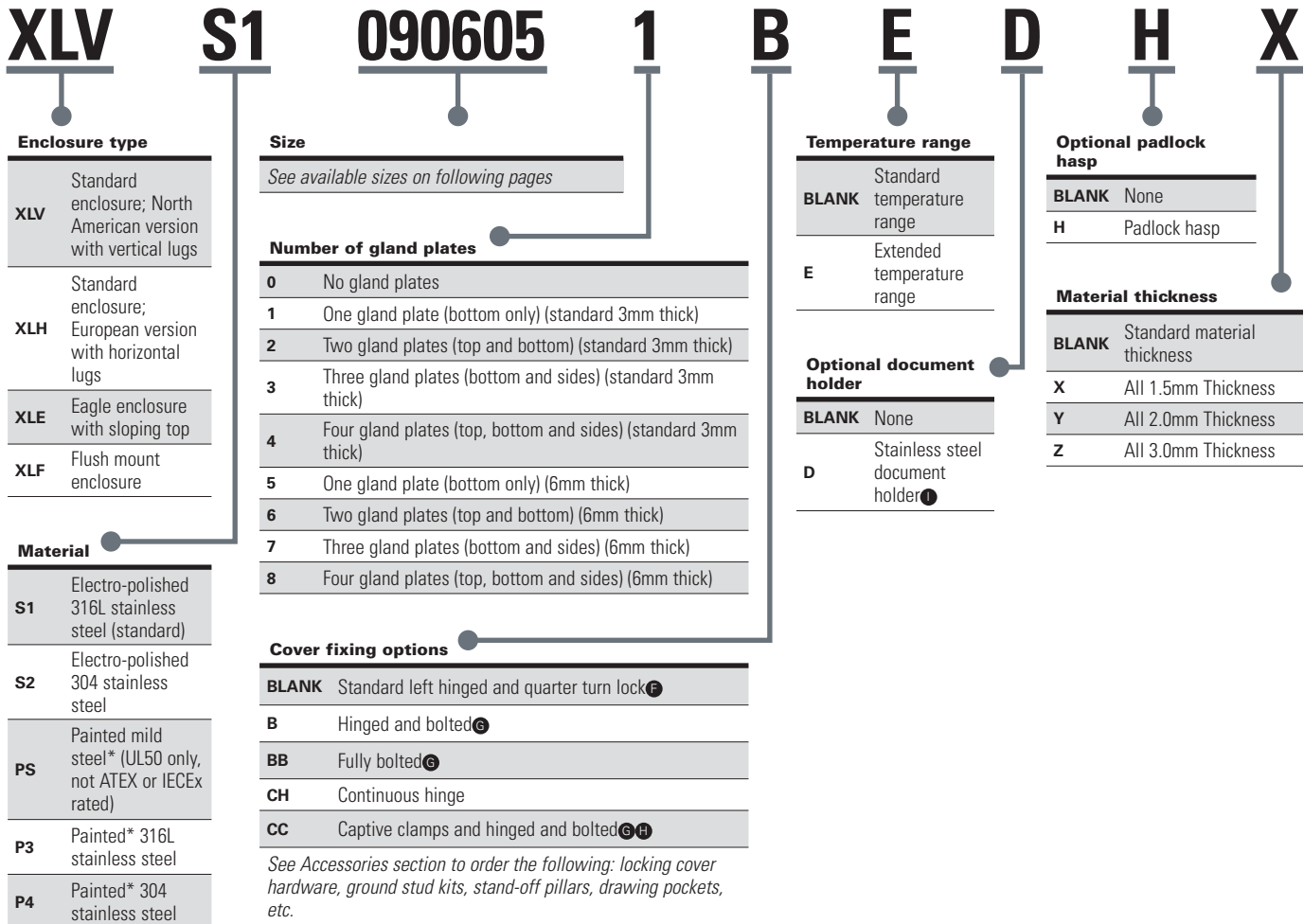
Ordering information:

Catalog numbers on following page are for stainless steel enclosures with one gland plate.

Ex-Cell enclosures are available in a variety of materials and configurations. To customize, utilize the part number example below:

Part number example

XLVS10906051B



*Painted versions only available on demand

[Ⓔ]When terminal blocks or approved Class I, Division 2 devices are installed within the enclosure in accordance with NEC/CEC requirements. These enclosures are NOT explosionproof and will NOT contain an explosion. Installation of arcing and sparking devices which are not Class I, Division 2 rated or higher is NOT PERMITTED.

[Ⓕ]XLV type has slot shaped quarter turn lock; XLH type has double bit quarter turn lock.

[Ⓖ]Maximum enclosure width is XLH****50 or XLV****20 for this option.

[Ⓕ]'CC' option only available on one and two gland plates enclosures.

[Ⓘ]Not available on enclosures where the width is equal to 203mm (8") and smaller.

Ex-Cell stainless steel and painted steel enclosures

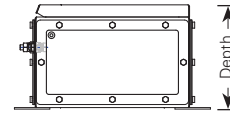
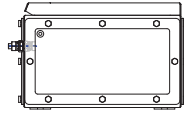
High performance, high reliability enclosures for global applications

Cl. I, Div. 2, Groups A, B, C, D
Cl. I, Zone 1
Type 3S, 4, 4X
IP66

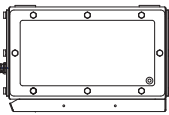
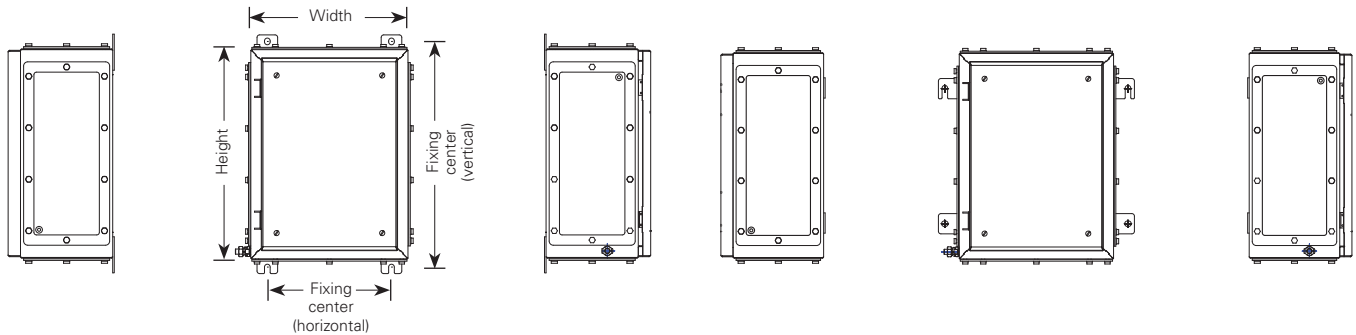
IECEX/ATEX
TR-CU/EAC

Mounting information:

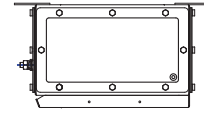
(See Ordering information section for dimensions)



Note: Does not include mounting feet thickness



Vertical mounting



Horizontal mounting

⚠ When terminal blocks or approved Class I, Division 2 devices are installed within the enclosure in accordance with NEC/CEC requirements. These enclosures are NOT explosionproof and will NOT contain an explosion. Installation of arcing and sparking devices which are not Class I, Division 2 rated or higher is NOT PERMITTED.

Ex-Cell stainless steel and painted steel enclosures

High performance, high reliability enclosures for global applications

Cl. I, Div. 2, Groups A, B, C, D
Cl. I, Zone 1
Type 3S, 4, 4X
IP66

IECEx/ATEX
TR-CU/EAC

Ordering information (continued):

XLV enclosures with vertical mounting feet

Enclosure size (H x W x D) (in.)	Cat. #	Fixing center vertical (in.)	Fixing center horizontal (in.)	Cat. # Mounting plate [Ⓛ] (zinc coated steel)
9 x 6 x 5	XLVS10906051	10.24	3.50	XLH2TMP2315
10 x 8 x 4	XLVS11008041	11.41	5.50	XLH2TMP2620
10 x 8 x 6	XLVS11008061	11.41	5.50	XLH2TMP2620
10 x 10 x 6	XLVS11010061	11.41	7.67	XLH2TMP2626
12 x 10 x 5	XLVS11210051	13.23	7.67	XLH2TMP3026
12 x 8 x 6	XLVS11208061	13.23	5.50	XLH2TMP3020
12 x 10 x 6	XLVS11210061	13.23	7.67	XLH2TMP3026
12 x 12 x 6	XLVS11212061	13.23	9.49	XLH2TMP3030
12 x 12 x 8	XLVS11212081	13.23	9.49	XLH2TMP3030
12 x 12 x 10	XLVS11212101	13.23	9.49	XLH2TMP3030
16 x 12 x 6	XLVS11612061	17.25	9.49	XLH2TMP4030
16 x 12 x 8	XLVS11612081	17.25	9.49	XLH2TMP4030
16 x 12 x 10	XLVS11612101	17.25	9.49	XLH2TMP4030
16 x 14 x 8	XLVS11614081	17.25	11.46	XLH2TMP4035
16 x 16 x 6	XLVS11616061	17.25	10.00	XLH2TMP4040
16 x 16 x 8	XLVS11616081	17.25	10.00	XLH2TMP4040
16 x 16 x 10	XLVS11616101	17.25	10.00	XLH2TMP4040
16 x 16 x 12	XLVS11616121	17.25	10.00	XLH2TMP4040
16 x 20 x 6	XLVS11620061	17.25	14.00	XLH2TMP4050
16 x 20 x 8	XLVS11620081	17.25	14.00	XLH2TMP4050
16 x 20 x 10	XLVS11620101	17.25	14.00	XLH2TMP4050
16 x 20 x 12	XLVS11620121	17.25	14.00	XLH2TMP4050
20 x 16 x 6	XLVS12016061	21.26	10.00	XLH2TMP5040
20 x 16 x 8	XLVS12016081	21.26	10.00	XLH2TMP5040
20 x 16 x 10	XLVS12016101	21.26	10.00	XLH2TMP5040
20 x 16 x 12	XLVS12016121	21.26	10.00	XLH2TMP5040
20 x 20 x 6	XLVS12020061	21.26	14.00	XLH2TMP5050
20 x 20 x 8	XLVS12020081	21.26	14.00	XLH2TMP5050
20 x 20 x 10	XLVS12020101	21.26	14.00	XLH2TMP5050
20 x 20 x 12	XLVS12020121	21.26	14.00	XLH2TMP5050
20 x 24 x 8	XLVS12024081	21.26	18.00	XLH2TMP5060
20 x 24 x 10	XLVS12024101	21.26	18.00	XLH2TMP5060
20 x 24 x 12	XLVS12024121	21.26	18.00	XLH2TMP5060
24 x 16 x 6	XLVS12416061	25.24	10.00	XLH2TMP6040
24 x 16 x 8	XLVS12416081	25.24	10.00	XLH2TMP6040
24 x 16 x 10	XLVS12416101	25.24	10.00	XLH2TMP6040
24 x 16 x 12	XLVS12416121	25.24	10.00	XLH2TMP6040
24 x 20 x 6	XLVS12420061	25.24	14.00	XLH2TMP6050
24 x 20 x 8	XLVS12420081	25.24	14.00	XLH2TMP6050
24 x 20 x 10	XLVS12420101	25.24	14.00	XLH2TMP6050
24 x 20 x 12	XLVS12420121	25.24	14.00	XLH2TMP6050
24 x 24 x 6	XLVS12424061	25.24	18.00	XLH2TMP6060
24 x 24 x 8	XLVS12424081	25.24	18.00	XLH2TMP6060
24 x 24 x 10	XLVS12424101	25.24	18.00	XLH2TMP6060
24 x 24 x 12	XLVS12424121	25.24	18.00	XLH2TMP6060
24 x 24 x 16	XLVS12424161	25.24	18.00	XLH2TMP6060
24 x 30 x 8	XLVS12430081	25.24	24.00	XLH2TMP6076
24 x 30 x 10	XLVS12430101	25.24	24.00	XLH2TMP6076
24 x 30 x 12	XLVS12430121	25.24	24.00	XLH2TMP6076
24 x 30 x 16	XLVS12430161	25.24	24.00	XLH2TMP6076
30 x 20 x 8	XLVS13020081	31.26	14.00	XLH2TMP7650
30 x 20 x 10	XLVS13020101	31.26	14.00	XLH2TMP7650
30 x 20 x 12	XLVS13020121	31.26	14.00	XLH2TMP7650
30 x 24 x 8	XLVS13024081	31.26	18.00	XLH2TMP7660
30 x 24 x 10	XLVS13024101	31.26	18.00	XLH2TMP7660
30 x 24 x 12	XLVS13024121	31.26	18.00	XLH2TMP7660
30 x 24 x 16	XLVS13024161	31.26	18.00	XLH2TMP7660
30 x 30 x 8	XLVS13030081	31.26	24.00	XLH2TMP7676
30 x 30 x 10	XLVS13030101	31.26	24.00	XLH2TMP7676
30 x 30 x 12	XLVS13030121	31.26	24.00	XLH2TMP7676
30 x 30 x 16	XLVS13030161	31.26	24.00	XLH2TMP7676

Ⓛ When terminal blocks or approved Class I, Division 2 devices are installed within the enclosure in accordance with NEC/CEC requirements. These enclosures are NOT explosionproof and will NOT contain an explosion. Installation of arcing and sparking devices which are not Class I, Division 2 rated or higher is NOT PERMITTED.

Ⓛ Fits enclosures with both vertical or horizontal mounting feet. For stainless steel or painted steel mounting plates, contact factory.

Ex-Cell stainless steel and painted steel enclosures

High performance, high reliability enclosures for global applications

Cl. I, Div. 2, Groups A, B, C, D[Ⓜ]
Cl. I, Zone 1
Type 3S, 4, 4X
IP66

IECEx/ATEX
TR-CU/EAC

Ordering information (continued):

XLV enclosures with vertical mounting feet (continued)

Enclosure size (H x W x D) (in.)	Cat. #	Fixing center vertical (in.)	Fixing center horizontal (in.)	Cat. # Mounting plate [Ⓜ] (zinc coated steel)
32 x 24 x 8	XLVS13224081	33.11	18.00	XLH2TMP8060
32 x 24 x 10	XLVS13224101	33.11	18.00	XLH2TMP8060
32 x 24 x 12	XLVS13224121	33.11	18.00	XLH2TMP8060
32 x 24 x 16	XLVS13224161	33.11	18.00	XLH2TMP8060
32 x 32 x 8	XLVS13232081	33.11	27.56	XLH2TMP8080
32 x 32 x 10	XLVS13232101	33.11	27.56	XLH2TMP8080
32 x 32 x 12	XLVS13232121	33.11	27.55	XLH2TMP8080
32 x 32 x 16	XLVS13232161	33.11	27.56	XLH2TMP8080
36 x 24 x 8	XLVS13624081	37.25	18.00	XLH2TMP9060
36 x 24 x 10	XLVS13624101	37.25	18.00	XLH2TMP9060
36 x 24 x 12	XLVS13624121	37.25	18.00	XLH2TMP9060
36 x 24 x 16	XLVS13624161	37.25	18.00	XLH2TMP9060
36 x 30 x 8	XLVS13630081	37.25	24.00	XLH2TMP9076
36 x 30 x 10	XLVS13630101	37.25	24.00	XLH2TMP9076
36 x 30 x 12	XLVS13630121	37.25	24.00	XLH2TMP9076
36 x 30 x 16	XLVS13630161	37.25	24.00	XLH2TMP9076
36 x 36 x 8	XLVS13636081	37.25	30.00	XLH2TMP9090
36 x 36 x 10	XLVS13636101	37.25	30.00	XLH2TMP9090
36 x 36 x 12	XLVS13636121	37.25	30.00	XLH2TMP9090
36 x 36 x 16	XLVS13636161	37.25	30.00	XLH2TMP9090
40 x 24 x 8	XLVS14024081	40.95	18.00	XLH2TMP10060
40 x 24 x 10	XLVS14024101	40.95	18.00	XLH2TMP10060
40 x 24 x 12	XLVS14024121	40.95	18.00	XLH2TMP10060
40 x 24 x 16	XLVS14024161	40.95	18.00	XLH2TMP10060
40 x 32 x 8	XLVS14032081	40.95	27.56	XLH2TMP10080
40 x 32 x 10	XLVS14032101	40.95	27.56	XLH2TMP10080
40 x 32 x 12	XLVS14032121	40.95	27.56	XLH2TMP10080
40 x 32 x 16	XLVS14032161	40.95	27.56	XLH2TMP10080
40 x 40 x 8	XLVS14040081	40.95	35.43	XLH2TMP100100
40 x 40 x 10	XLVS14040101	40.95	35.43	XLH2TMP100100
40 x 40 x 12	XLVS14040121	40.95	35.43	XLH2TMP100100
40 x 40 x 16	XLVS14040161	40.95	35.43	XLH2TMP100100
48 x 24 x 10	XLVS14824101	48.81	18.00	XLH2TMP12060
48 x 24 x 12	XLVS14824121	48.81	18.00	XLH2TMP12060
48 x 24 x 16	XLVS14824161	48.81	18.00	XLH2TMP12060
48 x 32 x 10	XLVS14832101	48.81	27.55	XLH2TMP12080
48 x 32 x 12	XLVS14832121	48.81	27.55	XLH2TMP12080
48 x 32 x 16	XLVS14832161	48.81	27.56	XLH2TMP12080
48 x 36 x 10	XLVS14836101	48.81	30.00	XLH2TMP12090
48 x 36 x 12	XLVS14836121	48.81	30.00	XLH2TMP12090
48 x 36 x 16	XLVS14836161	48.81	30.00	XLH2TMP12090
48 x 40 x 12	XLVS14840121	48.81	35.43	XLH2TMP120100
48 x 40 x 16	XLVS14840161	48.81	35.43	XLH2TMP120100
48 x 48 x 12	XLVS14848121	48.81	43.30	XLH2TMP120120
48 x 48 x 16	XLVS14848161	48.81	43.30	XLH2TMP120120
60 x 36 x 12	XLVS16036121	61.57	30.00	XLH2TMP15290
60 x 36 x 16	XLVS16036161	61.57	30.00	XLH2TMP15290
63 x 48 x 16	XLVS16348161	63.82	43.30	XLH2TMP160120

[Ⓜ]When terminal blocks or approved Class I, Division 2 devices are installed within the enclosure in accordance with NEC/CEC requirements. These enclosures are NOT explosionproof and will NOT contain an explosion. Installation of arcing and sparking devices which are not Class I, Division 2 rated or higher is NOT PERMITTED.

[Ⓜ]Fits enclosures with both vertical or horizontal mounting feet. For stainless steel or painted steel mounting plates, contact factory.

Ex-Cell stainless steel and painted steel enclosures

High performance, high reliability enclosures for global applications

Cl. I, Div. 2, Groups A, B, C, D[Ⓢ]
Cl. I, Zone 1
Type 3S, 4, 4X
IP66

IECEx/ATEX
TR-CU/EAC

Ordering information (continued):

XLH enclosures with horizontal mounting feet

Enclosure size (H x W x D) (mm)	Cat. #	Fixing center vertical (mm)	Fixing center horizontal (mm)	Cat. # Mounting plate [Ⓢ] (zinc coated steel)
229 x 152 x 127	XLHS12315131	152	208	XLHZTMP2315
260 x 203 x 100	XLHS12620101	170	259	XLHZTMP2620
260 x 203 x 152	XLHS12620151	170	259	XLHZTMP2620
260 x 260 x 152	XLHS12626151	170	316	XLHZTMP2626
305 x 260 x 127	XLHS13026131	203	316	XLHZTMP3026
305 x 203 x 152	XLHS13020151	203	259	XLHZTMP3020
305 x 260 x 152	XLHS13026151	203	316	XLHZTMP3026
305 x 305 x 152	XLHS13030151	203	361	XLHZTMP3030
305 x 305 x 203	XLHS13030201	203	361	XLHZTMP3030
305 x 305 x 254	XLHS13030251	203	361	XLHZTMP3030
406 x 305 x 152	XLHS14030151	267	361	XLHZTMP4030
406 x 305 x 203	XLHS14030201	267	361	XLHZTMP4030
406 x 305 x 254	XLHS14030251	267	361	XLHZTMP4030
406 x 355 x 203	XLHS14035201	267	386	XLHZTMP4035
406 x 406 x 152	XLHS14040151	267	462	XLHZTMP4040
406 x 406 x 203	XLHS14040201	267	462	XLHZTMP4040
406 x 406 x 254	XLHS14040251	267	462	XLHZTMP4040
406 x 406 x 300	XLHS14040301	267	462	XLHZTMP4040
406 x 508 x 152	XLHS14050151	267	564	XLHZTMP4050
406 x 508 x 203	XLHS14050201	267	564	XLHZTMP4050
406 x 508 x 254	XLHS14050251	267	564	XLHZTMP4050
406 x 508 x 300	XLHS14050301	267	564	XLHZTMP4050
508 x 406 x 152	XLHS15040151	354	462	XLHZTMP5040
508 x 406 x 203	XLHS15040201	354	462	XLHZTMP5040
508 x 406 x 254	XLHS15040251	354	462	XLHZTMP5040
508 x 406 x 300	XLHS15040351	354	462	XLHZTMP5040
508 x 508 x 152	XLHS15050151	354	564	XLHZTMP5050
508 x 508 x 203	XLHS15050201	354	564	XLHZTMP5050
508 x 508 x 254	XLHS15050251	354	564	XLHZTMP5050
508 x 508 x 300	XLHS15050301	354	564	XLHZTMP5050
508 x 610 x 203	XLHS15060201	354	666	XLHZTMP5060
508 x 610 x 254	XLHS15060251	354	666	XLHZTMP5060
508 x 610 x 300	XLHS15060301	354	666	XLHZTMP5060
610 x 406 x 152	XLHS16040151	445	462	XLHZTMP6040
610 x 406 x 203	XLHS16040201	445	462	XLHZTMP6040
610 x 406 x 254	XLHS16040251	445	462	XLHZTMP6040
610 x 406 x 300	XLHS16040301	445	462	XLHZTMP6040
610 x 508 x 152	XLHS16050151	445	564	XLHZTMP6050
610 x 508 x 203	XLHS16050201	445	564	XLHZTMP6050
610 x 508 x 254	XLHS16050251	445	564	XLHZTMP6050
610 x 508 x 300	XLHS16050301	445	564	XLHZTMP6050
610 x 610 x 152	XLHS16060151	445	666	XLHZTMP6060
610 x 610 x 203	XLHS16060201	445	666	XLHZTMP6060
610 x 610 x 254	XLHS16060251	445	666	XLHZTMP6060
610 x 610 x 300	XLHS16060301	445	666	XLHZTMP6060
610 x 610 x 400	XLHS16060401	445	666	XLHZTMP6060
610 x 762 x 203	XLHS16076201	456	818	XLHZTMP6076
610 x 762 x 254	XLHS16076251	456	818	XLHZTMP6076
610 x 762 x 300	XLHS16076301	456	818	XLHZTMP6076
610 x 762 x 400	XLHS16176401	456	818	XLHZTMP6076
762 x 508 x 203	XLHS17650201	608	563	XLHZTMP7650
762 x 508 x 254	XLHS17650251	608	563	XLHZTMP7650
762 x 508 x 300	XLHS17650301	608	563	XLHZTMP7650
762 x 610 x 203	XLHS17660201	608	665	XLHZTMP7660
762 x 610 x 254	XLHS17660251	608	665	XLHZTMP7660
762 x 610 x 300	XLHS17660301	608	665	XLHZTMP7660
762 x 610 x 400	XLHS17660401	608	665	XLHZTMP7660
762 x 762 x 203	XLHS17676201	608	818	XLHZTMP7676
762 x 762 x 254	XLHS17676251	608	818	XLHZTMP7676
762 x 762 x 300	XLHS17676301	608	818	XLHZTMP7676
762 x 762 x 400	XLHS17676401	608	818	XLHZTMP7676

[Ⓢ]When terminal blocks or approved Class I, Division 2 devices are installed within the enclosure in accordance with NEC/CEC requirements. These enclosures are NOT explosionproof and will NOT contain an explosion. Installation of arcing and sparking devices which are not Class I, Division 2 rated or higher is NOT PERMITTED.

[Ⓢ]Fits enclosures with both vertical or horizontal mounting feet. For stainless steel or painted steel mounting plates, contact factory.

Ex-Cell stainless steel and painted steel enclosures

High performance, high reliability enclosures for global applications

Cl. I, Div. 2, Groups A, B, C, D[ⓐ]
Cl. I, Zone 1
Type 3S, 4, 4X
IP66

IECEx/ATEX
TR-CU/EAC

Ordering information (continued):

XLH enclosures with horizontal mounting feet (continued)

Enclosure size (H x W x D) (mm)	Cat. #	Fixing center vertical (mm)	Fixing center horizontal (mm)	Cat. # Mounting plate [ⓑ] (zinc coated steel)
800 x 610 x 203	XLHS18060201	500	655	XLHZTMP8060
800 x 610 x 250	XLHS18060251	500	655	XLHZTMP8060
800 x 610 x 300	XLHS18060301	500	655	XLHZTMP8060
800 x 610 x 400	XLHS18060401	500	665	XLHZTMP8060
800 x 800 x 203	XLHS18080201	500	856	XLHZTMP8080
800 x 800 x 250	XLHS18080251	500	856	XLHZTMP8080
800 x 800 x 300	XLHS18080301	500	856	XLHZTMP8080
800 x 800 x 400	XLHS18080401	500	856	XLHZTMP8080
914 x 610 x 203	XLHS19060201	650	665	XLHZTMP9060
914 x 610 x 250	XLHS19060251	650	665	XLHZTMP9060
914 x 610 x 300	XLHS19060301	650	665	XLHZTMP9060
914 x 610 x 400	XLHS19060401	650	666	XLHZTMP9060
914 x 762 x 203	XLHS19076201	650	818	XLHZTMP9076
914 x 762 x 250	XLHS19076251	650	818	XLHZTMP9076
914 x 762 x 300	XLHS19076301	650	818	XLHZTMP9076
914 x 762 x 400	XLHS19076401	650	818	XLHZTMP9076
914 x 914 x 203	XLHS19090201	650	970	XLHZTMP9090
914 x 914 x 250	XLHS19090251	650	970	XLHZTMP9090
914 x 914 x 300	XLHS19090301	650	970	XLHZTMP9090
914 x 914 x 400	XLHS19090401	650	970	XLHZTMP9090
1000 x 610 x 203	XLHS110060201	700	665	XLHZTMP10060
1000 x 610 x 250	XLHS110060251	700	665	XLHZTMP10060
1000 x 610 x 300	XLHS110060301	700	665	XLHZTMP10060
1000 x 610 x 400	XLHS110060401	700	665	XLHZTMP10060
1000 x 800 x 203	XLHS11008020	700	856	XLHZTMP10080
1000 x 800 x 250	XLHS110080251	700	856	XLHZTMP10080
1000 x 800 x 300	XLHS110080301	700	856	XLHZTMP10080
1000 x 800 x 400	XLHS110080401	700	856	XLHZTMP10080
1000 x 1000 x 203	XLHS110010020	700	1056	XLHZTMP100100
1000 x 1000 x 250	XLHS1100100251	700	1056	XLHZTMP100100
1000 x 1000 x 300	XLHS1100100301	700	1056	XLHZTMP100100
1000 x 1000 x 400	XLHS1100100401	700	1056	XLHZTMP100100
1200 x 610 x 250	XLHS112060251	800	665	XLHZTMP12060
1200 x 610 x 300	XLHS112060301	800	665	XLHZTMP12060
1200 x 610 x 400	XLHS112060401	900	665	XLHZTMP12060
1200 x 800 x 250	XLHS112080251	800	856	XLHZTMP12080
1200 x 800 x 300	XLHS112080301	800	856	XLHZTMP12080
1200 x 800 x 400	XLHS112080401	900	856	XLHZTMP12080
1200 x 914 x 250	XLHS112090251	800	970	XLHZTMP12090
1200 x 914 x 300	XLHS112090301	800	970	XLHZTMP12090
1200 x 914 x 400	XLHS112090401	900	970	XLHZTMP12090
1200 x 1000 x 300	XLHS1120100301	800	1056	XLHZTMP120100
1200 x 1000 x 400	XLHS1120100401	900	1056	XLHZTMP120100
1200 x 1200 x 300	XLHS1120120301	800	1256	XLHZTMP120120
1200 x 1200 x 400	XLHS1120120401	900	1256	XLHZTMP120120
1524 x 914 x 300	XLHS115290301	1100	970	XLHZTMP15290
1524 x 914 x 400	XLHS115290401	1100	970	XLHZTMP15290
1600 x 1200 x 400	XLHS1160120401	1100	1256	XLHZTMP160120

[ⓐ]When terminal blocks or approved Class I, Division 2 devices are installed within the enclosure in accordance with NEC/CEC requirements. These enclosures are NOT explosionproof and will NOT contain an explosion. Installation of arcing and sparking devices which are not Class I, Division 2 rated or higher is NOT PERMITTED.

[ⓑ]Fits enclosures with both vertical or horizontal mounting feet. For stainless steel or painted steel mounting plates, contact factory.

Ex-Cell stainless steel enclosures

High performance, high reliability enclosures for global applications

Cl. I, Div. 2, Groups A, B, C, D
Cl. I, Zone 1
Type 3S, 4, 4X
IP66

IECEX/ATEX
TR-CU/EAC

Options:

(Available with Ex-Cell standard and large enclosures only)

Padlockable hasp (to order, add suffix 'H' to end of catalog number):

- Provides a secondary means of security and safety
- Manufactured from the same material grade as the enclosure

Drawing pockets:

- Stainless steel holders for engineering drawings can be installed at the factory (to order, add suffix 'D' to end of catalog number)
- Plastic document holders may be ordered separately:
 - Catalog number: **SHS953324** (A4/letter size orange plastic, self-adhesive)^①
 - Catalog number: **SHS953325** (A5 clear plastic)^①
 - Catalog number: **SHS953326** (A6 transparent plastic bonded)^②
- Custom stainless steel options available (contact factory)

Extended temperature range silicone gasket:

- Provides a service temperature of -60°C to +135°C
- To order, add suffix 'E' to end of catalog number

Sun shield and rain/deluge canopy (contact factory):

- Can be retrofitted to the enclosure as required using existing fixing positions

ID tag – label and bracket (contact factory):

- Provides an effective solution for labeling enclosure assemblies with ID tag labels

Continuous hinge (to order, add suffix 'CH' to end of catalog number):

- Maintains door alignment by distributing open and close force along the entire length of the door
- Provides greater strength and support for larger door
- Removable pin allows cover to be easily removed from enclosure
- Not available with painted finish
- Not available with UL certification

Mounting plates (sub-plates):

- Zinc coated steel mounting plates are standard (see catalog numbers on previous pages)
- Stainless steel or painted steel mounting plates are available (contact factory)

Captive cover clamps:

- Available with stainless steel captive cover clamps (to order, add suffix 'CC' to end of catalog number)

Tag label holder:

- Available (contact factory)

Accessories (ordered separately):

Locking cover hardware

Cat. #	Type (see images at right)
ENXL0011	Slot shape
ENXL0010	Double bit shape
QBXLKWKI	Wing knob insert with standard key [Ⓜ]
QBXLKPAD	L padlockable handle 10mm [ⓧ]

Ground stud kit

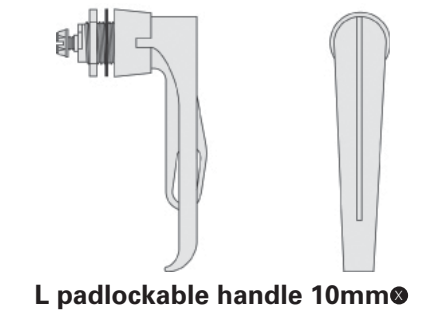
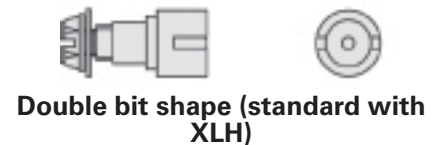
Cat. #	Type
ENK10738P	M10 stainless steel

Stand-off pillars

Cat. #	Type	Inches
ACCSOP15	SP15	0.60
ACCSOP20	SP20	0.80
ACCSOP30	SP30	1.20

Breather/drains

Cat. #	Type
BD3S1	M20 Ex e IP66 stainless steel (Raxton CV)
BD3NP	M20 Ex e IP66 nickel-plated brass (Raxton CV)



[Ⓢ]When terminal blocks or approved Class I, Division 2 devices are installed within the enclosure in accordance with NEC/CEC requirements. These enclosures are NOT explosionproof and will NOT contain an explosion. Installation of arcing and sparking devices which are not Class I, Division 2 rated or higher is NOT PERMITTED.

^①For sizes 406 x 406mm (16" x 16") and larger.

^②For sizes 406 x 305mm (16" x 12") and larger.

^③For sizes 305 x 305mm (12" x 12") and larger.

[Ⓜ]UL only, IP44.

[ⓧ]UL only, IP54.

Ex-Cell sloped and flush mount enclosures

High performance, high reliability enclosures for global applications

Cl. I, Div. 2, Groups A, B, C, D **Ⓐ**
 Cl. I, Zone 1
 Type 3S, 4, 4X
 IP66

IECEX/ATEX
 TR-CU/EAC

Sloped eagle enclosures

Applications:

- Ideal for highway, DOT, transportation, pharmaceutical and telecommunications applications

Features:

- Water shedding design for vertical mounted applications protects critical electronics and instrumentation
- Electro-polished stainless steel offers higher corrosion resistance than brushed stainless steel
- Available with 0 or 1 gland plate

Certifications and compliances:

- Class I, Division 2, Groups A, B, C, D **Ⓐ**; Class I, Zone 1
- cULus to UL50/C22.2 No. 94-M91
- UL Listed E115376 (Ordinary Location)
- Type 3S, 4 – painted mild steel*; Type 4X/IP66 – stainless steel
- ATEX and IECEX component certificates (BAS 15ATEX0099U and IECEX BAS15.0071U)
- 2G Ex eb IIC Gb or 2D Ex tb IIIC Db
- TR-CU and EAC certified



Ordering information:

Imperial sizing (in.)				Metric sizing (mm)			
Cat. #	Height	Width	Depth	Cat. #	Height	Width	Depth
XLE**121208*	12	12	8	XLE**303020*	305	305	203
XLE**161208*	16	12	8	XLE**403020*	406	305	203
XLE**161608*	16	16	8	XLE**404020*	406	406	203
XLE**201608*	20	16	8	XLE**504020*	508	406	203
XLE**202008*	20	20	8	XLE**505020*	508	508	203
XLE**242008*	24	20	8	XLE**605020*	610	508	203

Flush mount enclosures

Applications:

- Ideal for vertical mounting (wall) in a pharmaceutical or clean room application; or horizontal mounting (ceiling) in a plenum application

Features:

- Electro-polished stainless steel offers higher corrosion resistance than brushed stainless steel

Certifications and compliances:

- Class I, Division 2, Groups A, B, C, D **Ⓐ**; Class I, Zone 1
- cULus to UL50/C22.2 No. 94-M91
- UL Listed E115376 (Ordinary Location)
- Type 3S, 4 – painted mild steel*; Type 4X/IP66 – stainless steel
- ATEX and IECEX component certificates (BAS 15ATEX0099U and IECEX BAS15.0071U)
- 2G Ex eb IIC Gb or 2D Ex tb IIIC Db
- TR-CU and EAC certified



Ordering information:

Imperial sizing (in.)				Metric sizing (mm)			
Cat. #	Height	Width	Depth	Cat. #	Height	Width	Depth
XLF**0906050	9	6	5	XLF**2215130	229	152	127
XLF**1010060	10	10	6	XLF**2626150	260	260	152
XLF**1212060	12	12	6	XLF**3030150	305	305	152
XLF**1616060	16	16	6	XLF**4040150	406	406	152

*Painted versions only available on demand.

Ⓐ When terminal blocks or approved Class I, Division 2 devices are installed within the enclosure in accordance with NEC/CEC requirements. These enclosures are NOT explosionproof and will NOT contain an explosion. Installation of arcing and sparking devices which are not Class I, Division 2 rated or higher is NOT PERMITTED.

**Designate material. S1 = 316L stainless steel; S2 = 304 stainless steel; PS = painted steel (UL50 only, not ATEX or IECEX rated).

*Designate 0 or 1 gland plate.

N-TB (NXT) enclosures

Cl. I, Div. 2, Groups A, B, C, D [Ⓐ]
 AEx Cl. I, Zone 1
 NEMA Type 3S, 4 (painted* and stainless steel)
 NEMA Type 4X (stainless steel)
 IP66

IECEX/ATEX
 TR-CU/EAC

Fully removable hinged cover

Applications:

- Available in two types of material finish, N-TB (NXT) enclosures have been designed to accommodate rail mounted terminals or other electrical components
- 316L stainless steel is recommended to give maximum protection for components in outdoor/aggressive environments

Features:

- Twenty-eight basic sizes in five standard depths to optimize the accommodation of rail mountable terminals or components
- Fully removable hinged cover, concealed hinges provide 180° opening
- Cover mounting, two or three stainless steel captive screws on one side
- Lip on upstand increases gasket contact area, ensuring high degree of ingress protection
- Internal/external ground stud
- 40mm wide mounting lugs for assembly on standard frames
- Option of 0, 1, 2, 3 or 4 gland plates
- Optional through cover padlock hasp available

Certifications and compliances:

Component certificates – BVS13ATEXE014U and IECEX BVS 13.0026U:

- 2G Ex e IIC Gb or 2D Ex tb IIIC Db
- TR-CU and EAC certified
- Class I, Division 2, Groups A, B, C, D [Ⓐ]; Class I, Zone 1
- cULus to UL50/C22.2 No. 94-M91
- UL Listed E115376 (Ordinary Location)
- Type 3S, 4 – painted mild steel*; Type 4X/ IP66 – stainless steel

Factory options:

- Terminals, glands and Myers™ hubs assembled according to customer specification
- Drilled entries for cable glands fitted to customer specification
- Tapped entries on 6mm thick gland plates

N-TB-T terminal boxes:

N-TB (NXT) enclosures are available assembled as custom configured and certified terminal boxes. Options include custom entries, cable glands and plugs with built-in terminals (Ex-e and Ex-i) and other equipment. Contact factory for ordering details.

Standards:

- IEC/EN/UL/CAN 60079-0
- IEC/EN/UL/CAN 60079-7
- IEC/EN 60079-31
- IEC/EN 60529

Certificates:

- BVS16 ATEX-E-099X
- IECEX BVS 16.0065X
- UL Listed E108296 (Hazardous Location)
- RU_C-DE.AA87.B.00885

Ambient temperatures:

- -55[Ⓔ]/-40[Ⓞ]/-35[Ⓛ] up to +40°C (T6 and maximum surface temperature of T80°C)
- -55[Ⓔ]/-40[Ⓞ]/-35[Ⓛ] up to +55°C (with temperature class T5 and maximum surface temperature of T95°C)
- -55[Ⓔ]/-40[Ⓞ]/-35[Ⓛ] up to +65/70/80/100/110°C (with temperature class T4 and maximum surface temperature of T120°C)

Material:

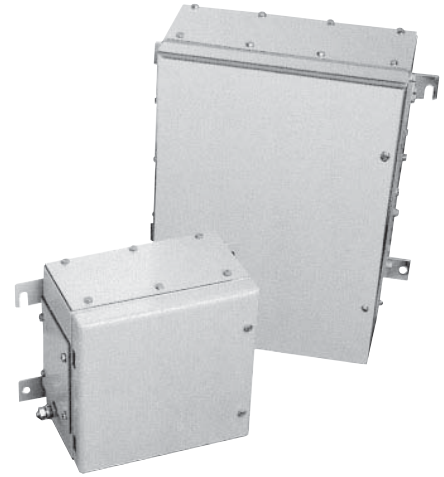
- Terminal boxes only available in 316L stainless steel enclosures

Electrical ratings:

- Rated voltage up to 690V AC/DC; rated current up to 400A; conductor cross-sections up to 240mm²

Technical specifications:

Description	Type	Specification
Material		1.5 mm thick stainless steel: 316L (1.4401) (standard); 304 (1.4301) (optional) or painted mild steel [Ⓛ] (optional)
Finish	Stainless steel Painted	Corrosion-resistant electro-polished surface RAL 7032 (gray)
Gasket	All types	Foam-in-place silicone (standard); cut silicone for extended temperatures (optional)
Cover mounting	All types	Fully detachable hinged cover with 2 or 3 x M6 hexagon head captive stainless steel screws
Grounding	All types	M10 internal/external ground stud; M6 internal ground stud on lid
Box mounting	All types	4 x external lugs, 0.433" (11mm) clearance holes/slots
Equipment mounting	All types	2 or 4 x stand-off pillars, 0.394" (9mm) OD x 0.590" (15mm) tall, tapped M6 x 0.394" (9mm)
Ingress protection	All types	IP66 to EN/IEC 60529
Service temperature range	No gland plates With gland plates	-55°C to +120°C -35°C to +120°C (optional cut silicone gasket down to -40°C)
Impact resistance	All types	Minimum 7 J (Nm) to IEC/EN 60079-0, IK 10



Markings:

- ATEX and IECEX: Ex eb IIC T6/5/4 Gb; Ex tb IIIC T80/95/120°C Db or Ex tb IIIC T80/95/120°C
- NEC 500 and NEC 505: Class I, Division 2, Groups A, B, C, D and Class I, Zone 1, Aex e IIC T6/5/4
- EAC CU TR: 1Ex e IIC T6/T5 Gb X or Ex tb IIIC T80/95/120°C Db X

Note: Ambient temperature range depends on ratings of built-in components and enclosure gland plate and gasket options.

*Painted versions only available on demand.

[Ⓐ]When terminal blocks or approved Class I, Division 2 devices are installed within the enclosure in accordance with NEC/CEC requirements. These enclosures are NOT explosionproof and will NOT contain an explosion. Installation of arcing and sparking devices which are not Class I, Division 2 rated or higher is NOT PERMITTED.

[Ⓔ]-55°C ambient temperature rating only available on 0 gland plate versions.

[Ⓞ]Requires suffix 'E' for extended temperature cut silicone gasket on enclosures with gland plates.

[Ⓛ]Standard temperature rating on enclosures with gland plates.

[Ⓛ]UL50 only, not ATEX or IECEX rated.

N-TB (NXT) enclosures

Cl. I, Div. 2, Groups A, B, C, D
 AEx Cl. I, Zone 1
 NEMA Type 3S, 4 (painted* and stainless steel)
 NEMA Type 4X (stainless steel)
 IP66

IECEX/ATEX
 TR-CU/EAC

Fully removable hinged cover

Ordering information:

Part number example
NXTS12626161E

NXT **S1** **26** **26** **16** **1** **E**

Material	
S1	Polished 316L stainless steel (standard)
S2	Polished 304 stainless steel
P1	Decorative painted 316L stainless steel*
PS	Painted mild steel*

Height	
26	See catalog numbers on following page

Width	
26	See catalog numbers on following page

Depth	
16	See catalog numbers on following page

Number of gland plates	
0	No gland plates
1	One gland plate (bottom only) (standard 3mm thick)
2	Two gland plates (top and bottom) (standard 3mm thick)
3	Three gland plates (bottom and sides) (standard 3mm thick)
4	Four gland plates (top, bottom and sides) (standard 3mm thick)
5	One gland plate (bottom only) (6mm thick)
6	Two gland plates (top and bottom) (6mm thick)
7	Three gland plates (bottom and sides) (6mm thick)
8	Four gland plates (top, bottom and sides) (6mm thick)

Optional padlock hasp	
BLANK	None
H	Padlock hasp (through cover)

Gasket type	
BLANK	Standard silicone gasket
E	Cut silicone gasket

Note: Suffix 'E' is applicable for enclosures with gland plates only. Leave blank for enclosures without gland plates.

* Painted versions only available on demand

⚠ When terminal blocks or approved Class I, Division 2 devices are installed within the enclosure in accordance with NEC/CEC requirements. These enclosures are NOT explosionproof and will NOT contain an explosion. Installation of arcing and sparking devices which are not Class I, Division 2 rated or higher is NOT PERMITTED.

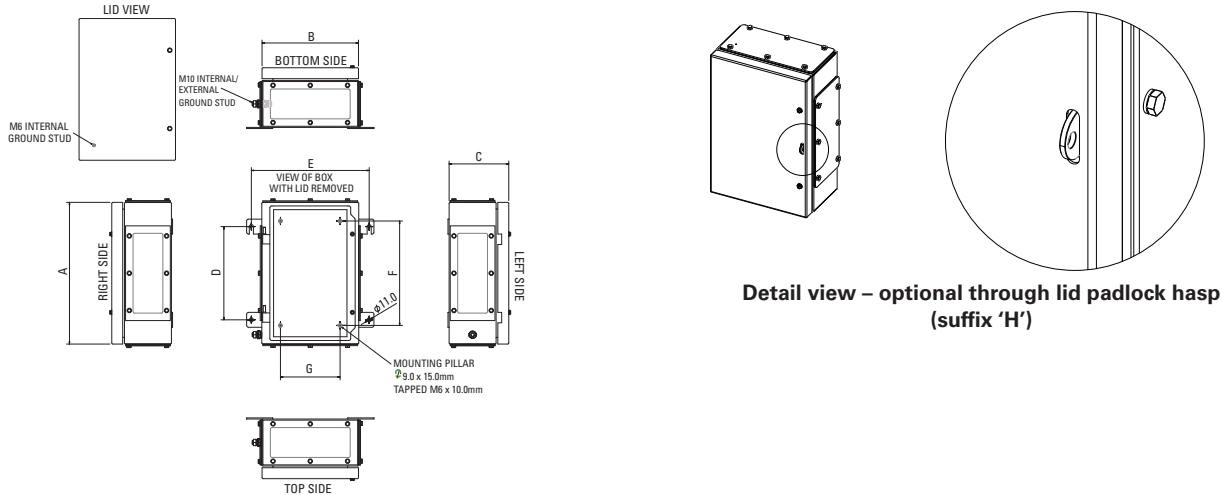
N-TB (NXT) enclosures

Cl. I, Div. 2, Groups A, B, C, D
 AEx Cl. I, Zone 1
 NEMA Type 3S, 4 (painted* and stainless steel)
 NEMA Type 4X (stainless steel)
 IP66

IECEx/ATEX
 TR-CU/EAC

Fully removable hinged cover

Dimensions and fixing centers:



Cat. # (H, W, D)	Enclosure external dimensions			External fixing centers dimensions		Internal mounting center dimensions			Mounting pillar quantity	Weight lbs. (kg.)
	Height (A) in. (mm)	Width (B) in. (mm)	Depth (C) in. (mm)	Vertical (D) in. (mm)	Horizontal (E) in. (mm)	Vertical pitch (F) in. (mm)	Horizontal pitch (G) in. (mm)			
NXT 22 15 13	9.00 (229)	6.00 (152)	5.30 (135)	5.98 (152)	7.01 (178)ⓐ	5.00 (127)	N/A	2	7.17 (3.25)	
NXT 26 26 16	10.20 (260)	10.20 (260)	6.30 (160)	6.69 (170)	12.44 (316)	6.30 (160)	6.30 (160)	4	12.13 (5.50)	
NXT 26 26 20	10.20 (260)	10.20 (260)	8.10 (205)	6.69 (170)	12.44 (316)	6.30 (160)	6.30 (160)	4	13.35 (6.06)	
NXT 30 18 15	11.80 (300)	7.10 (180)	5.90 (150)	6.34 (161)	8.07 (205)ⓐ	7.87 (200)	3.15 (80)	4	9.95 (4.51)	
NXT 30 30 16	12.00 (306)	12.00 (306)	6.30 (160)	7.99 (203)	13.03 (331)ⓐ	8.11 (206)	8.11 (206)	4	15.43 (7.00)	
NXT 30 30 20	12.00 (306)	12.00 (306)	8.10 (205)	7.99 (203)	13.03 (331)ⓐ	8.11 (206)	8.11 (206)	4	16.49 (7.48)	
NXT 30 35 20	12.00 (306)	13.80 (350)	8.10 (205)	7.99 (203)	15.94 (405)	8.11 (206)	9.84 (250)	4	18.10 (8.21)	
NXT 37 31 15	14.60 (370)	12.20 (310)	5.90 (150)	9.09 (231)	13.19 (335)ⓐ	10.63 (270)	8.27 (210)	4	15.32 (6.95)	
NXT 38 26 16	15.00 (380)	10.20 (260)	6.30 (160)	9.84 (250)	12.44 (316)	11.02 (280)	6.30 (160)	4	15.43 (7.00)	
NXT 38 26 20	15.00 (380)	10.20 (260)	8.10 (205)	9.84 (250)	12.44 (316)	11.02 (280)	6.30 (160)	4	17.10 (7.76)	
NXT 38 30 23	15.00 (380)	11.80 (300)	9.20 (233)	9.84 (250)	14.02 (356)	11.02 (280)	7.87 (200)	4	20.77 (9.42)	
NXT 38 38 23	15.00 (380)	15.00 (380)	9.20 (233)	9.84 (250)	17.17 (436)	11.02 (280)	11.02 (280)	4	24.85 (11.27)	
NXT 38 45 20	15.00 (380)	17.70 (450)	8.10 (205)	9.84 (250)	19.92 (506)	11.02 (280)	13.78 (350)	4	25.66 (11.64)	
NXT 40 40 16	15.70 (400)	15.70 (400)	6.30 (160)	10.39 (264)	17.95 (456)	11.81 (300)	11.81 (300)	4	20.21 (9.17)	
NXT 40 50 15	16.00 (406)	20.00 (508)	5.90 (150)	10.51 (267)	22.20 (564)	12.05 (306)	16.06 (408)	4	23.30 (10.57)	
NXT 45 38 16	18.00 (458)	15.00 (382)	6.30 (160)	12.01 (305)	16.02 (407)ⓐ	14.09 (358)	11.10 (282)	4	21.45 (9.73)	
NXT 45 38 20	18.00 (458)	15.00 (382)	8.10 (205)	12.01 (305)	16.02 (407)ⓐ	14.09 (358)	11.10 (282)	4	26.12 (11.85)	
NXT 45 55 20	18.00 (458)	21.70 (550)	8.10 (205)	12.01 (305)	23.82 (605)	14.09 (358)	17.72 (450)	4	35.03 (15.89)	
NXT 48 48 16	18.90 (480)	18.90 (480)	6.30 (160)	12.87 (327)	19.88 (505)ⓐ	14.96 (380)	14.96 (380)	4	26.69 (12.11)	
NXT 48 48 20	18.90 (480)	18.90 (480)	8.10 (205)	12.87 (327)	19.88 (505)ⓐ	14.96 (380)	14.96 (380)	4	32.56 (14.77)	
NXT 50 35 16	19.70 (500)	13.80 (350)	6.30 (160)	13.78 (350)	15.98 (406)	15.75 (400)	9.84 (250)	4	21.60 (9.80)	
NXT 50 35 20	19.70 (500)	13.80 (350)	8.10 (205)	13.78 (350)	15.98 (406)	15.75 (400)	9.84 (250)	4	26.13 (11.85)	
NXT 50 45 20	19.70 (500)	17.70 (450)	8.10 (205)	13.78 (350)	19.92 (506)	15.75 (400)	13.78 (350)	4	31.94 (14.49)	
NXT 50 55 20	19.70 (500)	21.70 (550)	8.10 (205)	13.78 (350)	23.86 (606)	15.75 (400)	17.72 (450)	4	37.67 (17.09)	
NXT 50 64 20	19.70 (500)	25.20 (640)	8.10 (205)	12.99 (330)	27.40 (696)	15.75 (400)	21.26 (540)	4	42.75 (19.39)	
NXT 60 64 20	23.60 (600)	25.20 (640)	8.10 (205)	17.72 (450)	27.40 (696)	19.69 (500)	21.26 (540)	4	49.87 (22.62)	
NXT 62 45 16	24.40 (620)	17.70 (450)	6.30 (160)	17.72 (450)	19.92 (506)	20.47 (520)	13.78 (350)	4	31.10 (14.11)	
NXT 62 45 20	24.40 (620)	17.70 (450)	8.10 (205)	17.72 (450)	19.92 (506)	20.47 (520)	13.78 (350)	4	37.48 (17.00)	
NXT 73 73 34	28.70 (730)	28.70 (730)	13.40 (340)	20.87 (530)	30.94 (786)	24.80 (630)	24.80 (630)	4	100.70 (45.68)	
NXT 74 55 16	29.10 (740)	21.70 (550)	6.30 (160)	21.26 (540)	23.86 (606)	25.20 (640)	17.72 (450)	4	42.49 (19.27)	
NXT 74 55 20	29.10 (740)	21.70 (550)	8.10 (205)	21.26 (540)	23.86 (606)	25.20 (640)	17.72 (450)	4	52.39 (23.76)	
NXT 76 50 16	30.00 (762)	20.00 (508)	6.30 (160)	20.00 (508)	21.02 (534)ⓐ	26.06 (662)	16.06 (408)	4	40.74 (18.48)	
NXT 76 50 20	30.00 (762)	20.00 (508)	8.10 (205)	20.00 (508)	21.02 (534)ⓐ	26.06 (662)	16.06 (408)	4	51.81 (23.50)	
NXT 86 64 16	33.90 (860)	25.20 (640)	6.30 (160)	22.44 (570)	27.40 (696)	29.92 (760)	21.26 (540)	4	54.85 (24.88)	
NXT 86 64 20	33.90 (860)	25.20 (640)	8.10 (205)	22.44 (570)	27.40 (696)	29.92 (760)	21.26 (540)	4	63.93 (29.00)	
NXT 91 61 20	36.00 (914)	24.00 (610)	8.10 (205)	22.01 (559)	25.04 (636)ⓐ	32.05 (814)	20.08 (510)	4	68.34 (31.00)	
NXT 98 74 16	38.60 (980)	29.10 (740)	6.30 (160)	27.56 (700)	31.34 (796)	34.65 (880)	25.20 (640)	4	69.35 (31.46)	
NXT 98 74 20	38.60 (980)	29.10 (740)	8.10 (205)	27.56 (700)	31.34 (796)	34.65 (880)	25.20 (640)	4	83.76 (37.99)	
NXT 105 61 20	41.30 (1050)	24.00 (610)	8.10 (205)	35.83 (559)	26.22 (666)	37.40 (950)	20.08 (510)	4	77.00 (34.93)	

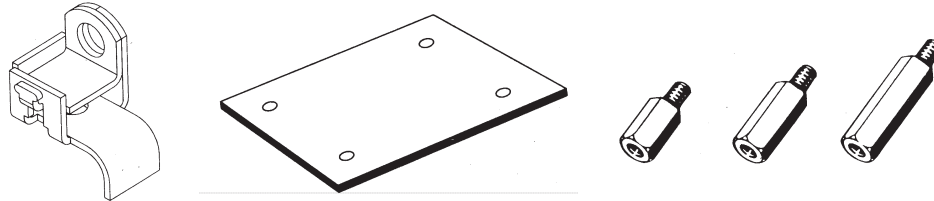
ⓐ When terminal blocks or approved Class I, Division 2 devices are installed within the enclosure in accordance with NEC/CEC requirements. These enclosures are NOT explosionproof and will NOT contain an explosion. Installation of arcing and sparking devices which are not Class I, Division 2 rated or higher is NOT PERMITTED.

ⓑ Add 1.18" (30mm) to horizontal mounting center dimension on 3 and 4 gland plate versions.

ⓒ Mounting pillar pattern: 2 - on vertical center line; 4 - one in each corner at defined pitch about center.

N-TB (NXT) enclosures

Accessories (ordered separately):



Mounting plates

Enclosure size	Cat. # 2mm zinc coated steel	Cat. # 2mm 316L stainless steel
NXT 221513	NXTZTMP2215	NXTS1MP2215
NXT 262616	NXTZTMP2626	NXTS1MP2626
NXT 262620	NXTZTMP2626	NXTS1MP2626
NXT 301815	NXTZTMP3018	NXTS1MP3018
NXT 303016	NXTZTMP3030	NXTS1MP3030
NXT 303020	NXTZTMP3030	NXTS1MP3030
NXT 303520	NXTZTMP3035	NXTS1MP3035
NXT 373115	NXTZTMP3731	NXTS1MP3731
NXT 382616	NXTZTMP3826	NXTS1MP3826
NXT 382620	NXTZTMP3826	NXTS1MP3826
NXT 383023	NXTZTMP3830	NXTS1MP3830
NXT 383823	NXTZTMP3838	NXTS1MP3838
NXT 384520	NXTZTMP3845	NXTS1MP3845
NXT 404016	NXTZTMP4040	NXTS1MP4040
NXT 405015	NXTZTMP4050	NXTS1MP4050
NXT 453816	NXTZTMP4538	NXTS1MP4538
NXT 453820	NXTZTMP4538	NXTS1MP4538
NXT 455520	NXTZTMP4555	NXTS1MP4555
NXT 484816	NXTZTMP4848	NXTS1MP4848
NXT 484820	NXTZTMP4848	NXTS1MP4848
NXT 503516	NXTZTMP5035	NXTS1MP5035
NXT 503520	NXTZTMP5035	NXTS1MP5035
NXT 504520	NXTZTMP5045	NXTS1MP5045
NXT 505520	NXTZTMP5055	NXTS1MP5055
NXT 506420	NXTZTMP5064	NXTS1MP5064
NXT 606420	NXTZTMP6064	NXTS1MP6064
NXT 624516	NXTZTMP6245	NXTS1MP6245
NXT 624520	NXTZTMP6245	NXTS1MP6245
NXT 737334	NXTZTMP7373	NXTS1MP7373
NXT 745516	NXTZTMP7455	NXTS1MP7455
NXT 745520	NXTZTMP7455	NXTS1MP7455
NXT 765016	NXTZTMP7650	NXTS1MP7650
NXT 765020	NXTZTMP7650	NXTS1MP7650
NXT 866416	NXTZTMP8664	NXTS1MP8664
NXT 866420	NXTZTMP8664	NXTS1MP8664
NXT 916120	NXTZTMP9161	NXTS1MP9161
NXT 987416	NXTZTMP9874	NXTS1MP9874
NXT 987420	NXTZTMP9874	NXTS1MP9874
NXT 1056120	NXTZTMP10561	NXTS1MP10561

Stand-off pillars (pack of 2)

Type	Inches	Cat. #
SP15	0.60	ACCSOP15
SP20	0.80	ACCSOP20
SP30	1.20	ACCSOP30

Retrofit locking hasp®

Type	Cat. #
NPA6	NXTNPAHASP

Note: Stainless steel for Type NP6 padlocks. Mount on enclosure by removing cover screw and fitting hasp between cover and screw.

Lock

Type	Cat. #
NP6 brass lock and two keys	NXTNP6BL2K

Assembly rail (mild steel)

Type	Length	Cat. #
TS35	78.74"	ACCTS352M
TAS20	78.74"	ACCTAS202M

Ground stud kits

Type	Cat. #
M10 stainless steel	ENK10738P

Mounting plate screws (metric)

Description	Cat. #
Six per set	CCH4142

Ⓜ May order factory assembled with suffix 'H'.

S-TB enclosures

Cl. I, Div. 2, Groups A, B, C, D[Ⓐ]
 NEMA Type 3S, 4 (painted* steel)
 NEMA Type 4X (stainless steel)
 NEMA Type 6
 IP66

IECEX/ATEX
 TR-CU/EAC

Applications:

- Designed to meet the requirement for distribution and lighting junction boxes
- Available in 13 sizes with standard finishes of painted or 316L stainless steel, together with the high IP rating, make these enclosures suitable for all environmental conditions
- Stainless steel versions are particularly recommended for use in marine or other corrosive environments

Certifications and compliances:

- Class I, Division 2, Groups A, B, C, D[Ⓐ]
- cULus to UL50/C22.2 No. 94-M91
- NEMA Type 3S, 4 (painted steel*), NEMA Type 4X (stainless steel), NEMA Type 6; IP66
- UL Listed E115376 (Ordinary Location)
- IECEX and ATEX component certificate – BVS13ATEXE015U and IECEX BVS 13.0025U
- 2G Ex eb IIC Gb or 2D Ex tb IIIC Db
- TR-CU and EAC certified

S-TB-T terminal boxes:

S-TB enclosures are available assembled as custom configured and certified terminal boxes. Options include custom entries, cable glands and plugs with built-in terminals (Ex-e and Ex-i) and other equipment. Contact factory for ordering details.

Standards:

- IEC/EN 60079-0
- IEC/EN 60079-7
- IEC/EN 60079-31
- IEC/EN 60529

Certificates:

- BVS16 ATEX-E-096X
- IECEX BVS 16.0062X
- RU_C-DE.AA87.B.00885

Ambient temperatures:

- -55[Ⓟ]/-40°C up to +40°C (T6 and maximum surface temperature of T80°C)
- -55[Ⓟ]/-40°C up to +55°C (T5 and maximum surface temperature of T95°C)
- -55[Ⓟ]/-40°C up to +65/70/80/100/110°C (with temperature class T4 and maximum surface temperature of T120°C)

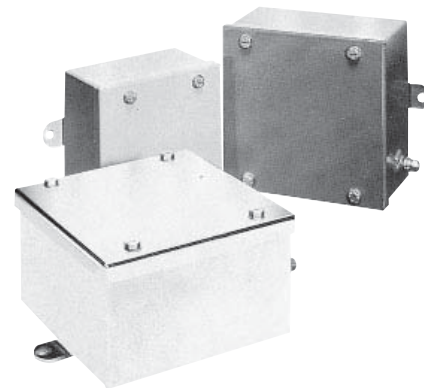
Materials:

- Equipment available in 316L stainless steel enclosures

Electrical ratings:

- Rated voltage up to 690V AC/DC; rated current up to 400A; conductor cross-sections up to 240mm²

Note: Ambient temperature range depends on ratings of built-in components.



Markings:

- ATEX and IECEX: EEx eb IIC T6/5/4 Gb; Ex tb IIIC T80/95/120°C Db or Ex tb IIIC T80/95/120°C
- EAC CU TR: 1Ex e IIC T6/T5 Gb X or Ex tb IIIC T80/95/120°C Db X
- NEC 500: Class I, Division 2, Groups A, B, C, D[Ⓐ]

Technical specifications:

Description		Specification
Material		1.5mm thick stainless steel grades: 316L (1.4401); 304 (1.4301) or painted mild steel [Ⓞ] Optional
Finish	Stainless steel Painted	Corrosion-resistant electro-polished surface RAL 7032 (gray)
Gasket		Foam-in-place silicone (standard); cut silicone (with gland plates)
Cover mounting		4 x M6 slotted, hexagon head captive screws
Grounding	STB121208-303020	M6 internal/external ground stud
	STB383822-604022	M10 internal/external ground stud
Box mounting	STB121208-252512	2 x external lugs, 0.315" (8mm) clearance holes
	STB163812-303020	4 x external lugs, 0.315" (8mm) clearance holes
	STB383822-604022	4 x external lugs, 0.433" (11mm) clearance holes
Equipment mounting		Mounting pillars or TAS 20 rails welded to base of enclosure (see Dimensions for details)
Ingress protection	All types	IEC/EN 60529, IP66
Service temperature range	No gland plates	-55°C to +120°C
	With gland plates	-40°C to +120°C
Impact resistance		Minimum 7 J (Nm) to IEC/EN 60079-0, IK 10
Gland plates	STB383822-604022	Optional 3mm thick gland plates available in bottom, left, top and right configurations

[Ⓐ]When terminal blocks or approved Class I, Division 2 devices are installed within the enclosure in accordance with NEC/CEC requirements. These enclosures are NOT explosionproof and will NOT contain an explosion. Installation of arcing and sparking devices which are not Class I, Division 2 rated or higher is NOT PERMITTED.

[Ⓟ]Enclosures with gland plates are limited to -40°C.

[Ⓞ]Painted mild steel not available with ATEX or IECEX rating.

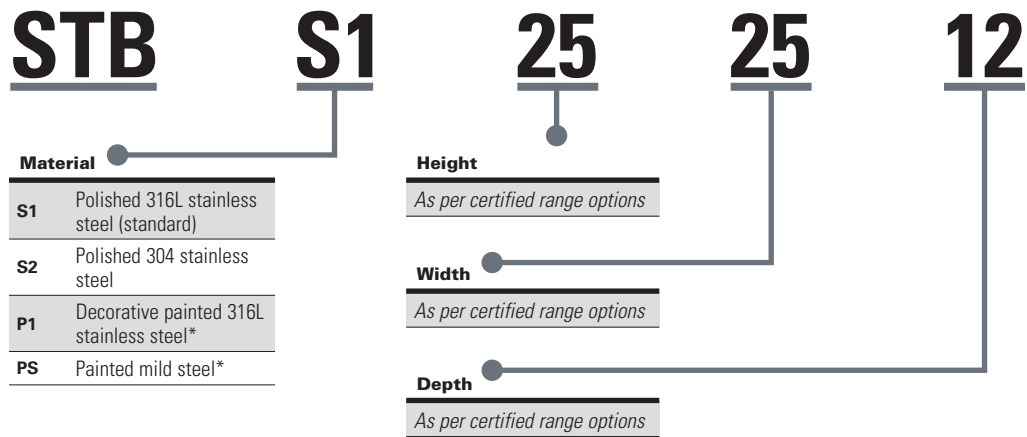
S-TB enclosures

Cl. I, Div. 2, Groups A, B, C, D
NEMA Type 3S, 4 (painted* steel)
NEMA Type 4X (stainless steel)
NEMA Type 6
IP66

IECEX/ATEX
TR-CU/EAC

Ordering information:

Part number example
STBS1252512



* Painted versions only available on demand

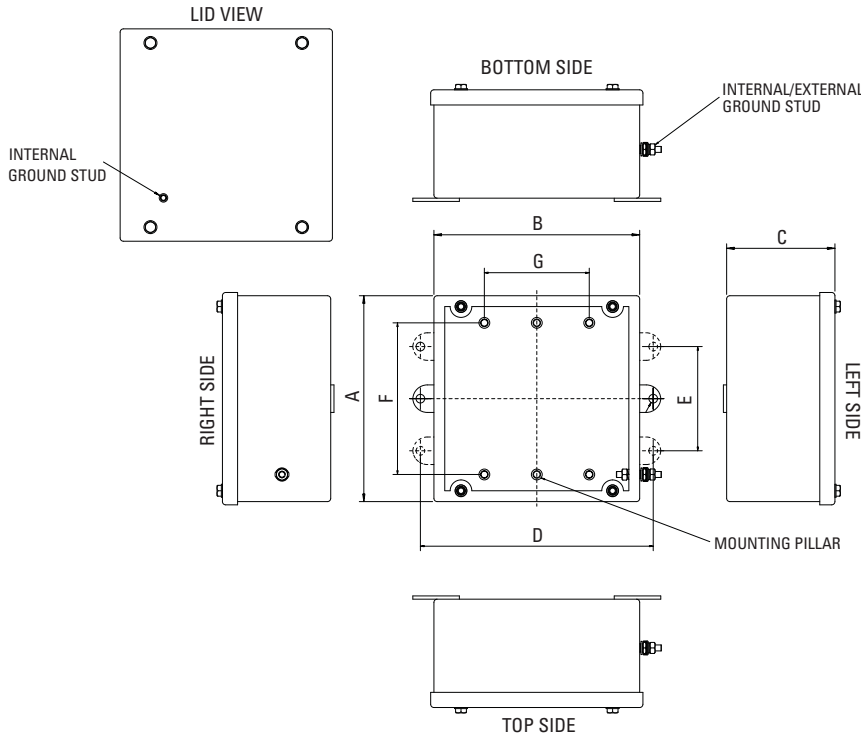
⚠ When terminal blocks or approved Class I, Division 2 devices are installed within the enclosure in accordance with NEC/CEC requirements. These enclosures are NOT explosionproof and will NOT contain an explosion. Installation of arcing and sparking devices which are not Class I, Division 2 rated or higher is NOT PERMITTED.

S-TB enclosures

Cl. I, Div. 2, Groups A, B, C, D
 NEMA Type 3S, 4 (painted steel*)
 NEMA Type 4X (stainless steel)
 NEMA Type 6
 IP66

IECEX/ATEX
 TR-CU/EAC

Dimensions:



Short name	Type	Height (A) in. (mm)	Width (B) in. (mm)	Depth (C) in. (mm)	Horizontal mounting feet external fixing centers			Internal mounting centers			Weight lbs. (kg.)
					Horizontal (D) in. (mm)	Vertical (E) in. (mm)	Mounting foot quantity	Vertical pitch (F) in. (mm)	Horizontal pitch (G) in. (mm)	Mounting pillar quantity [Ⓒ]	
STB 1	STB 12 12 08	4.72 (120)	4.72 (120)	3.15 (80)	5.71 (145)	N/A	2	2.76 (70)	0.00 (0)	2	3.09 (1.40)
STB 1.1	STB 15 12 08	5.91 (150)	4.72 (120)	3.15 (80)	5.71 (145)	N/A	2	3.94 (100)	0.00 (0)	2	3.50 (1.59)
STB 2	STB 15 15 09	5.91 (150)	5.91 (150)	3.54 (90)	6.89 (175)	N/A	2	3.94 (100)	0.00 (0)	2	4.19 (1.90)
STB 2.1	STB 19 15 09	7.48 (190)	5.91 (150)	3.54 (90)	6.89 (175)	N/A	2	5.51 (140)	0.00 (0)	2	5.40 (2.45)
STB 3	STB 19 19 10	7.48 (190)	7.48 (190)	3.94 (100)	8.46 (215)	N/A	2	5.51 (140)	0.00 (0)	2	6.61 (3.00)
STB 4	STB 25 25 12	9.84 (250)	9.84 (250)	4.72 (120)	10.83 (275)	N/A	2	7.09 (180)	0.00 (0)	TAS20	8.16 (3.70)
STB 5	STB 16 38 12	6.30 (160)	14.96 (380)	4.72 (120)	15.94 (405)	3.15 (80)	4	0.00 (0)	11.81 (300)	TAS20	8.14 (3.69)
STB 6	STB 25 40 13	9.84 (250)	15.75 (400)	5.12 (130)	16.73 (425)	5.91 (150)	4	7.09 (180)	0.00 (0)	TAS20	11.80 (5.35)
–	STB 30 30 20	11.81 (300)	11.81 (300)	7.87 (200)	12.80 (325)	9.06 (230)	4	9.06 (230)	0.00 (0)	TAS20	14.54 (6.59)
STB 7	STB 38 38 22	14.96 (380)	14.96 (380)	8.66 (220)	17.13 (435)	9.84 (250)	4	11.81 (300)	11.81 (300)	4	18.70 (8.48)
STB 8	STB 40 60 22	15.75 (400)	23.62 (600)	8.66 (220)	25.83 (656)	10.39 (264)	4	12.60 (320)	20.47 (520)	4	28.60 (12.97)
–	STB 34 75 15	13.39 (340)	29.53 (750)	5.91 (150)	30.51 (775)	10.63 (270)	4	10.24 (260)	13.19 (335)	6	22.22 (10.08)
STB 9	STB 60 40 22	23.62 (600)	15.75 (400)	8.66 (220)	17.95 (456)	18.27 (464)	4	20.47 (520)	12.60 (320)	4	28.60 (12.97)

Note: See technical data for mounting hole and ground stud sizes.

* Painted versions only available on demand.

Ⓐ When terminal blocks or approved Class I, Division 2 devices are installed within the enclosure in accordance with NEC/CEC requirements. These enclosures are NOT explosionproof and will NOT contain an explosion. Installation of arcing and sparking devices which are not Class I, Division 2 rated or higher is NOT PERMITTED.

Ⓒ Mounting pillar pattern: 2 x M5, 10mm (H) – on vertical center line
 TAS20 – two parallel rails at defined pitch about center
 4 x M6, 25mm (H) – one in each corner at defined pitch about center
 6 x M6, 25mm (H) – two on center and one in each corner at defined pitch from center

S-TB enclosures

Cl. I, Div. 2, Groups A, B, C, D[Ⓜ]
 NEMA Type 3S, 4 (painted steel*)
 NEMA Type 4X (stainless steel)
 NEMA Type 6
 IP66

IECEX/ATEX
 TR-CU/EAC

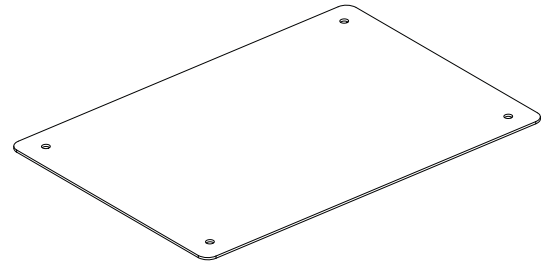
Accessories (ordered separately):

Mounting hardware

Sliding mounting nuts and screws for mounting assemblies or components to the support rail type TAS 20.

Description	Type	Cat. #
M5 screw for TS32/TS35	SFNS 5	ACCSFNM5

Mounting plates



Enclosure size	Cat. # 2mm zinc coated steel	Cat. # 2mm 316L stainless steel
STB191910	STBZTMP1919	STBS1MP1919
STB252512	STBZTMP2525	STBS1MP2525
STB163812	STBZTMP1638	STBS1MP1638
STB254013	STBZTMP2540	STBS1MP2540
STB303020	STBZTMP3030	STBS1MP3030
STB383822	STBZTMP3838	STBS1MP3838
STB406022	STBZTMP4060	STBS1MP4060
STB347515	STBZTMP3475	STBS1MP3475
STB604022	STBZTMP6040	STBS1MP6040

* Painted versions only available on demand

[Ⓜ]When terminal blocks or approved Class I, Division 2 devices are installed within the enclosure in accordance with NEC/CEC requirements. These enclosures are NOT explosionproof and will NOT contain an explosion. Installation of arcing and sparking devices which are not Class I, Division 2 rated or higher is NOT PERMITTED.

**U.S. (Global Headquarters):
Eaton's Crouse-Hinds Division**

1201 Wolf Street
Syracuse, NY 13208

(866) 764-5454
FAX: (315) 477-5179
Orders Only:
ECHUSAOrders@eaton.com
CrouseCustomerCTR@eaton.com

For more information:

If further assistance is required, please contact an authorized Eaton Distributor, Sales Office, or Customer Service Department.

Canada

Toll Free: 800-265-0502
FAX: (800) 263-9504
FAX Orders only: (866) 653-0645

Mexico/Latin America/Caribbean

52-555-804-4000
FAX: 52-555-804-4020
ventascentromex@eaton.com

Europe (Germany)

49 (0) 6271 806-500
49 (0) 6271 806-476
info-ex@eaton.com

Eaton Middle East

9714-8066100
FAX: 9714-8894813
chmesales@eaton.com

Singapore

65-6825-1668
FAX: 65-6645-9811
chsi-sales@eaton.com

China

86-21-2899-3600
FAX: 86-21-2899-4055
echsales@eaton.com

Korea

82 2 6380 4032
82-2-6380-4070
ECHKsales@eaton.com

Australia

1300-332-866
FAX: 61-2-9693-5127
Crousehindsanz@eaton.com

India

91-124-4683888
FAX: 91-124-4683899
cchindia@eaton.com

Eaton's Crouse-Hinds
1201 Wolf Street
Syracuse, NY 13208
Crouse-Hinds.com

Eaton
1000 Eaton Boulevard
Cleveland, OH 44122
United States
Eaton.com

© 2021 Eaton Corporation
All Rights Reserved
Printed in USA
Publication No. 5420-0121
January 2021

Eaton is a registered trademark.

All other trademarks are property of their respective owners.